

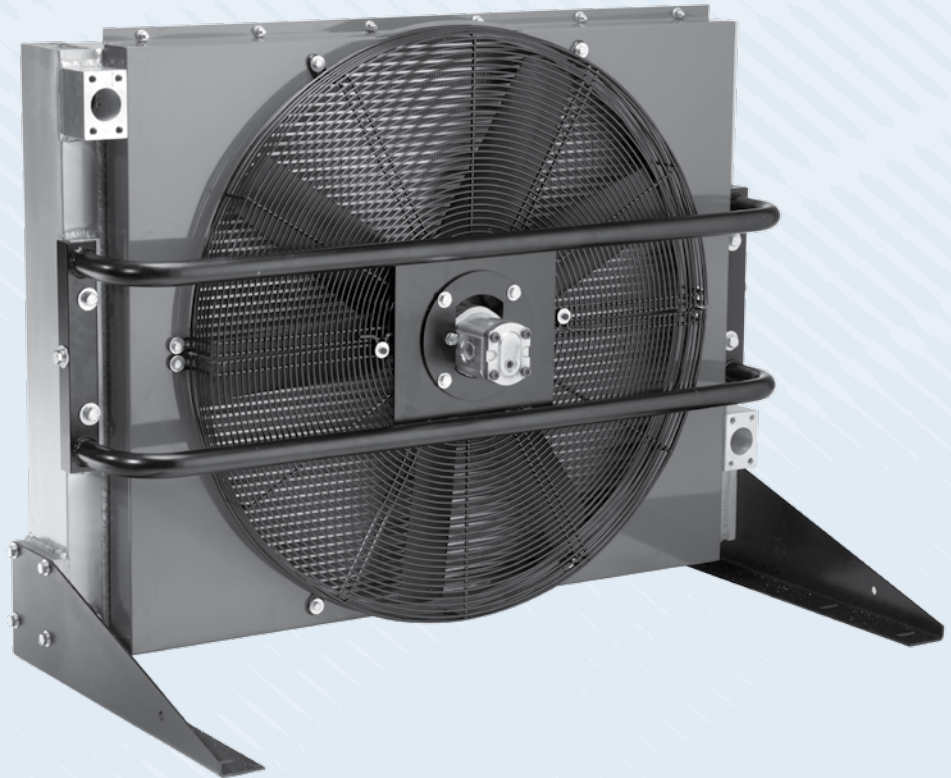
FLUID COOLING | P-Bar Series Industrial BOL

AIR COOLED BOL

BRAZED ALUMINUM CONSTRUCTION

Features

- Bar and Plate Brazed Aluminum Core
- Rugged, lightweight, and compact
- Provides the best heat transfer per given envelope size while minimizing pressure drop
- Air-side fin design minimizes fouling and static pressure ensuring long-term, reliable performance
- Welded fittings/ports and manifolds ensure structural integrity
- Standard SAE ports – NPT and BSPP ports available
- Customized units are available to meet your specific performance requirements
- T-BAR core optional for high viscosity oils or other highly fouling fluids.
*See T-Bar Performance Curve
- Low Noise Option Available



Ratings

Maximum Operating Pressure
250 psi (17 BAR)

Maximum Operating Temperature
300° F (150° C)

Materials

Mounting Feet Steel

Standard Core Brazed Aluminum Bar and Plate

- Tanks – 5052 Aluminum
- Nose Bar & Little Bar – 3003-H Aluminum
- Air Fin, Plate, Turbulator & End Plate – 3003-O Aluminum

Fanguard Steel

Connectors Aluminum

Fan Aluminum Hub, Plastic Blades

Shroud Steel

Motor TEFC & IEC

Fluid Compatibility

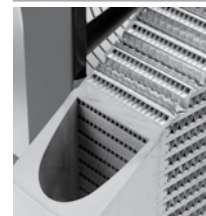
Petroleum/mineral oils

Oil/water emulsion

Water/ethylene glycol

How to Order

Model Series BOL	Model Size Selected 4 8 16 30 400 725 950 1200 1600 2000	Connection Type* 1 - NPT 2 - SAE 3 - BSPP	Specify Motor Required 2 - Single Phase 3 - Three Phase 6 - 575 Volt 9 - Hydraulic 18 - IEC Three Phase	Core Blank - Standard Bar & Plate TB - T-BAR Core*	Noise Level Blank - Standard Noise Level LN - Low Noise Level

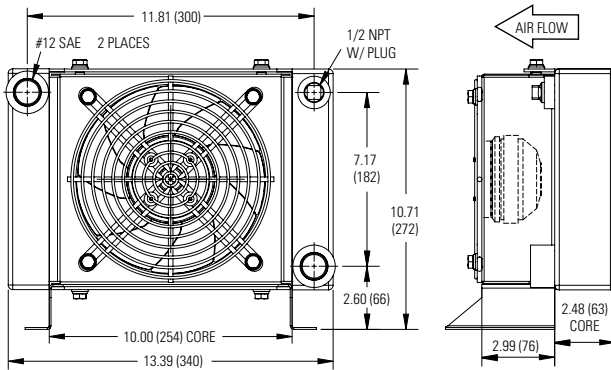


OPTIONAL T-BAR CORE SECTION CUTAWAY

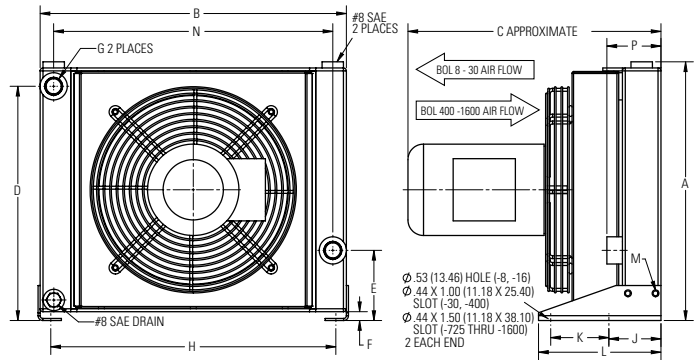
*T-BAR Core option provides a T-BAR core in BOL frame. Used for high fouling or high viscosity fluids. Performance is typically 15-25% less than the bar and plate core. Consult factory for details.

Dimensions

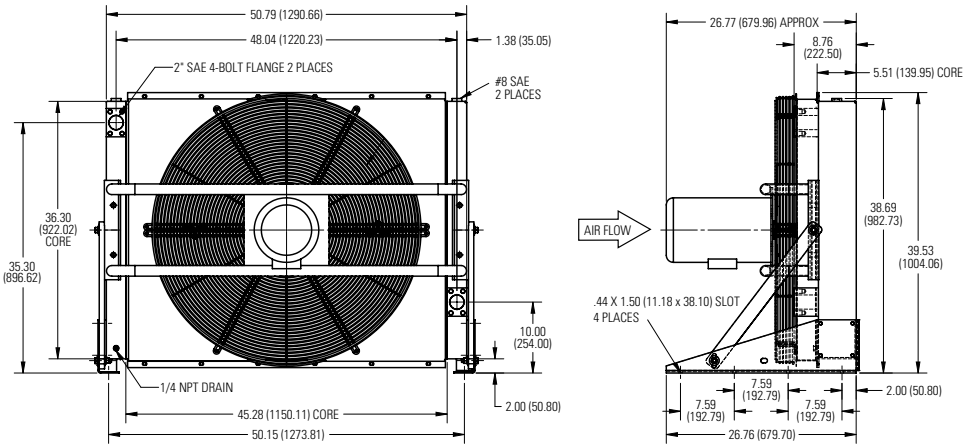
BOL-4



BOL-8 through BOL-1600



BOL-2000



Model	A	B	C	D	E	F	G	H	J	K	L	M	N	P	Approx. Ship Wt. lbs (Kg)	
BOL-4	See diagram above						—	—	—	—	—	—	—	—	—	18 (8.16)
BOL-8	12.93 (328.42)	15.75 (400.05)	14.72 (373.89)	11.30 (287.62)	3.27 (83.06)	.55 (13.97)	#12 SAE	14.53 (369.06)	3.07 (77.98)	3.75 (88.90)	7.36 (186.94)	M8 Bolt (2PL)	14.01 (355.85)	3.48 (88.40)	45 (20.4)	
BOL-16	16.63 (422.40)	19.69 (500.13)	16.16 (410.46)	15.06 (382.52)	4.51 (114.56)	.57 (14.48)	#12 SAE	18.30 (464.82)	3.35 (85.09)	3.74 (95.00)	7.87 (199.90)	M8 Bolt (2PL)	17.95 (455.93)	3.46 (87.88)	55 (24.94)	
BOL-30	21.09 (535.68)	26.38 (670.06)	18.23 (463.04)	19.49 (495.05)	5.26 (133.60)	1.32 (33.53)	#20 SAE	24.74 (628.40)	4.25 (107.95)	5.00 (127.00)	10.00 (254.00)	M10 Bolt (4PL)	24.34 (618.24)	5.28 (134.11)	125 (56.70)	
BOL-400	19.20 (487.68)	22.45 (570.23)	18.80 (477.52)	17.31 (439.67)	6.50 (165.10)	2.00 (50.80)	#20 SAE	22.30 (566.42)	4.25 (107.95)	5.00 (127.00)	10.00 (254.00)	M10 Bolt (4PL)	20.08 (510.03)	5.20 (132.08)	148 (67.13)	
BOL-725	23.49 (596.65)	30.32 (770.13)	18.60 (472.44)	21.60 (548.64)	6.50 (165.10)	2.00 (50.80)	#20 SAE	30.17 (766.32)	4.25 (107.95)	5.00 (127.00)	10.00 (254.00)	M10 Bolt (4PL)	27.95 (709.93)	5.20 (132.08)	170 (77.11)	
BOL-950	27.94 (709.68)	37.03 (940.56)	22.69 (576.33)	24.55 (623.57)	9.50 (241.30)	2.00 (50.80)	2" SAE 4-Bolt Flange	35.89 (911.61)	6.05 (153.67)	9.20 (233.68)	16.00 (406.40)	M10 Bolt (4PL)	34.26 (870.20)	7.01 (178.05)	300 (136.08)	
BOL-1200	27.94 (709.68)	40.96 (1040.38)	24.07 (611.38)	24.55 (623.57)	5.50 (139.70)	2.00 (50.80)		40.31 (1023.87)	6.05 (153.67)	9.20 (233.68)	16.00 (406.40)	M10 Bolt (4PL)	38.19 (970.03)	7.01 (178.05)	430 (195.04)	
BOL-1600	36.01 (914.65)	40.96 (1040.38)	25.45 (646.43)	32.62 (828.55)	9.50 (241.30)	2.00 (50.80)		40.31 (1023.87)	6.05 (153.67)	9.20 (233.68)	16.00 (406.40)	M10 Bolt (4PL)	38.19 (970.03)	7.01 (178.05)	515 (233.60)	
BOL-2000	See diagram above						—	—	—	—	—	—	—	—	582 (264.00)	

Note: We reserve the right to make reasonable design changes without notice. All dimensions are in inches and (millimeters).

Specifications

Electric Motor Information (60 Hz Nema Frame)

Model	CMM	CFM	Motor HP	Voltage	Phase	Full Load Amps 230V	Frequency	RPM	Frame	Thermal Overload	Sound dB(A) at 3ft
BOL-4	31.14	1203	1/4	230	1	—	60 Hz	2850	—	—	73
BOL-8	22.65	800	1/3	115/230	1	3.0	60 Hz	3450	48C	No	80
BOL-8	22.65	800	1/3	208-230/460	3	1.4	60 Hz	3450	48C	No	80
BOL-16	40.35	1425	1/2	115/230	1	3.7	60 Hz	3450	48C	No	85
BOL-16	40.35	1425	1/2	208-230/460	3	2.2	60 Hz	3450	48C	No	85
BOL-30	62.29	2200	1/2	115/230	1	3.7	60 Hz	1725	56C	No	85
BOL-30	62.29	2200	1/2	208-230/460	3	2.0	60 Hz	1725	56C	No	85
BOL-400	62.29	2200	1	115/230	1	6.0	60 Hz	3450	56C	No	97
BOL-400	62.29	2200	1	208-230/460	3	3.2	60 Hz	3450	56C	No	97
BOL-725	101.94	3600	1-1/2	115/230	1	8.5	60 Hz	3450	56C	No	100
BOL-725	101.94	3600	1-1/2	208-230/460	3	4.8	60 Hz	3450	56C	No	100
BOL-950	133.10	4700	1-1/2	115/230	1	8.6	60 Hz	1725	145TC	No	92
BOL-950	133.10	4700	1-1/2	208-230/460	3	4.6	60 Hz	1725	145TC	No	92
BOL-1200	198.22	7000	3	208-230/460	3	8.8	60 Hz	1725	182TC	No	94
BOL-1600	223.75	7900	5	208-230/460	3	13.4	60 Hz	1725	184TC	No	96
BOL-2000	396.44	14000	7.5	230/460	3	24.8	60 Hz	1725	213TC	No	98

Electric Motor Information (50 Hz IEC Frame)

Model	CMM	CFM	KW	Voltage	Phase	Frequency	RPM	Frame	Sound dB(A) at 3ft
BOL-4	28.4	1003	.20	230	1	50 Hz	3000	—	73
BOL-8	18.9	667	.25	230/400/415	3	50 Hz	3000	63	71
BOL-16	33.7	1188	.37	230/400/415	3	50 Hz	3000	71	77
BOL-30	52.4	1850	.37	230/400/415	3	50 Hz	1500	71	73
BOL-400	52.4	1850	.75	230/400/415	3	50 Hz	3000	80	81
BOL-725	85.0	3000	1.10	230/400/415	3	50 Hz	3000	80	80
BOL-950	108.2	3821	1.50	230/400/415	3	50 Hz	1500	90	78
BOL-1200	165.1	5834	2.20	230/400/415	3	50 Hz	1500	100	83
BOL-1600	186.4	6584	3.00	230/400/415	3	50 Hz	1500	100	85
BOL-2000	331.3	11700	4.00	230/400/415	3	50 Hz	1500	112	88

All IEC frame motors have CE mark.
IEC motor voltages have +/- 10% tolerance.

Hydraulic Motor Information

Model	Oil Flow Required GPM (LPM)	Min. Pressure Required PSI (BAR)	Motor IN ³ /REV (CM ³ /REV) Displacement	Sound dB(A) at 3 ft.
BOL-4	3.3 (12.49)	400 (27.58)	0.22 (3.6)	80
BOL-8	3.3 (12.49)	400 (27.58)	0.22 (3.6)	80
BOL-16	3.3 (12.49)	500 (34.47)	0.22 (3.6)	85
BOL-30	3.4 (12.87)	500 (34.47)	0.45 (7.3)	85
BOL-400	3.3 (12.49)	425 (29.30)	0.22 (3.6)	97

Model	Oil Flow Required GPM (LPM)	Min. Pressure Required PSI (BAR)	Motor IN ³ /REV (CM ³ /REV) Displacement	Sound dB(A) at 3 ft.
BOL-725	3.3 (12.49)	675 (46.50)	0.22 (3.6)	100
BOL-950	10.1 (38.23)	300 (20.70)	1.4 (22.9)	92
BOL-1200	10.1 (38.23)	725 (50.00)	1.4 (22.9)	94
BOL-1600	10.1 (38.23)	1100 (75.80)	1.4 (22.9)	96
BOL-2000	10.1 (38.23)	1650 (113.76)	1.4 (22.9)	98

Notes: Maximum Pressure is 2000 psi. Stated Minimum Operating Pressure is at Inlet Port of Motor. 1000 psi Allowable Back Pressure.

Selection Procedure

Step 1 Determine Heat Load. Typical Rule of Thumb, -size cooler for 1/3 of the input horsepower. Heat load may be expressed as either Horsepower or BTU/Hr or KW/°C.

HP=BTU/HR ÷ 2545
 BTU/HR=HP x 2545

$BTU/HR = \frac{KW}{°C} \times 1894.61 \times E.T.D.(°F)$

Step 2 Determine Entering Temperature Difference.
 (Actual E.T.D.)

$$E.T.D. = \text{Entering oil temperature} - \text{Entering Ambient air temperature}$$

The entering oil temperature is generally the maximum desired system oil temperature.

Entering air temperature is the highest Ambient Air temperature the application will see.

Step 3 Determine the Corrected Heat Dissipation to use the Curves

ENGLISH Version

$$\text{Corrected Heat Rejection} = \frac{\text{Heat Load (BTU/Hr)}}{\text{Desired E.T.D.}} \times \frac{100°F}{}$$

(BTU/HR) to use with selection chart

METRIC Version

$$\text{Corrected Heat Rejection} = \frac{KW}{°C} = \frac{\text{Heatload (kw)}}{\text{Desired E.T.D. (°C)}}$$

Step 4 Select Model From Curves Enter the Performance Curves at the bottom with the GPM oil flow and proceed upward to the adjusted Heat Rejection from Step 3. Any Model or Curve on or above this point will meet these conditions.

Step 5 Calculate Oil Pressure Drop Find the oil pressure drop correction factor and multiply it by the Oil Pressure Drop found on performance curve.

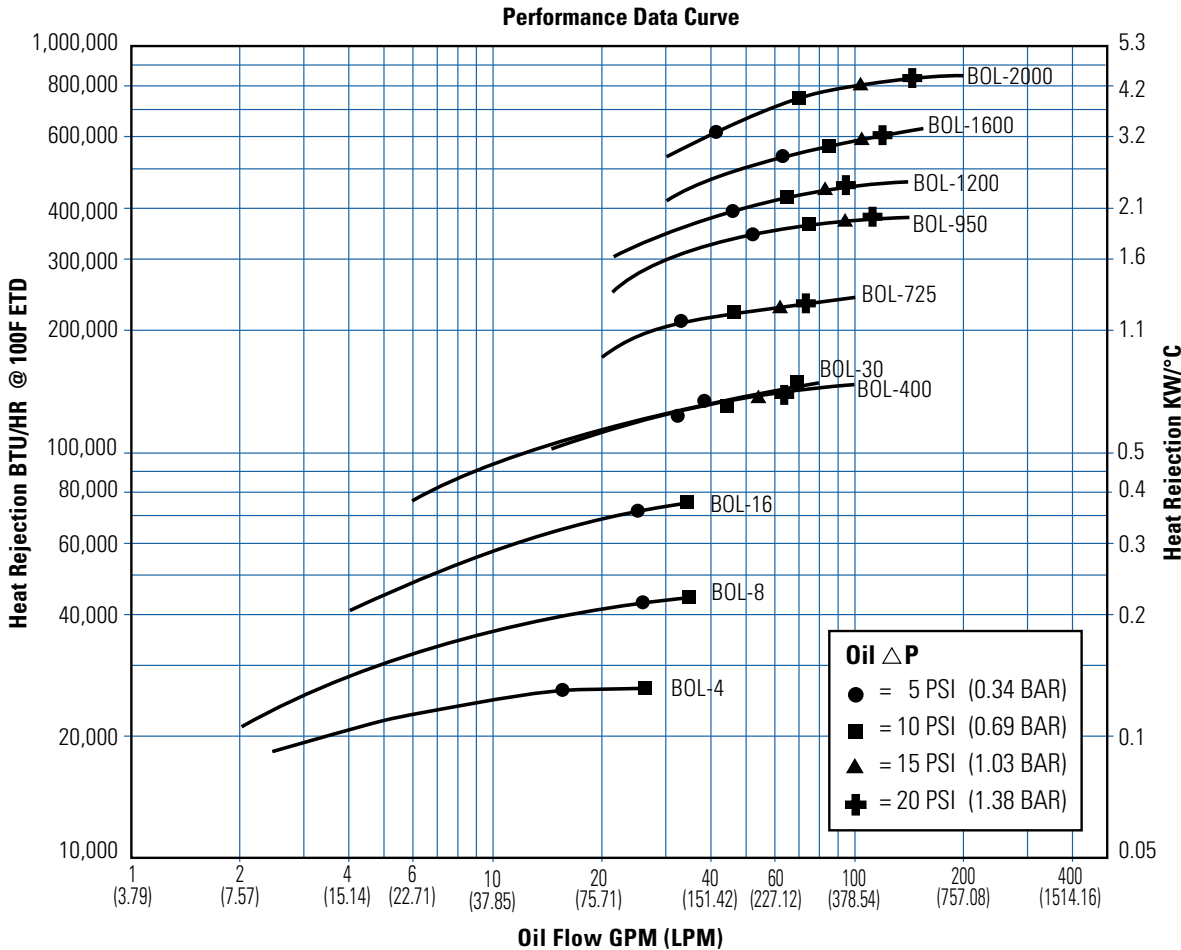
Listed Performance Curves are based on:

- 50 SSU (11 cSt) oil
- 100° F (55.56° C) Entering Temperature Difference (E.T.D.)

If your application conditions are different, then continue with the selection procedure.

Performance Curves

BOL Models with Standard P-BAR Core

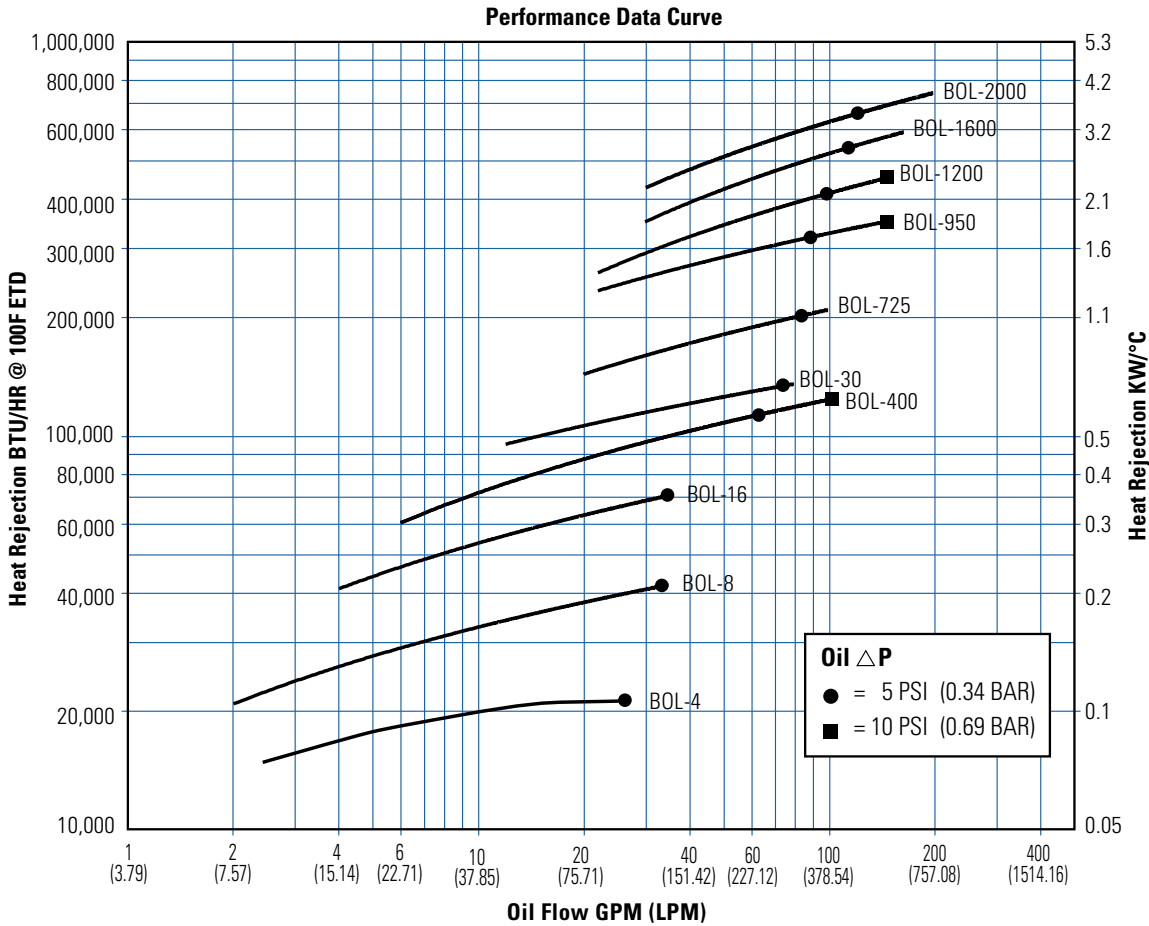


Note: Derate heat rejection values 15% if using 50Hz motors.

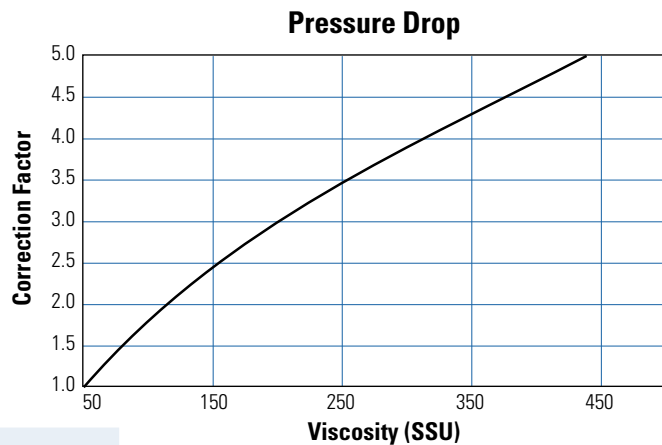
Performance Curves

BOL Models with Optional T-BAR Core

AIR COOLED BOL



Note: Derate heat rejection values 15% if using 50Hz motors.



Oil Temperature

Typical operating temperature ranges are:

Hydraulic Motor Oil	120°F - 180°F (49°C - 82.2°C)
Hydrostatic Drive Oil	160°F - 180°F (71°C - 82.2°C)
Engine Lube Oil	180°F - 200°F (82.2°C - 93.3°C)
Automatic Transmission Fluid	200°F - 300°F (93.3°C - 149°C)

Desired Reservoir Temperature

Oil Temperature: Oil coolers can be selected using entering or leaving oil temperatures.

Off-Line Recirculation Cooling Loop: Desired reservoir temperature is the oil temperature entering the cooler.

Return Line Cooling: Desired reservoir temperature is the oil temperature leaving the cooler. In this case, the oil temperature change must be determined so that the actual oil entering temperature can be found. Calculate the oil temperature change (oil ΔT) with this formula:

$$\text{Oil } \Delta T = (\text{BTU's/Hr.}) / (\text{GPM Oil Flow} \times 210).$$

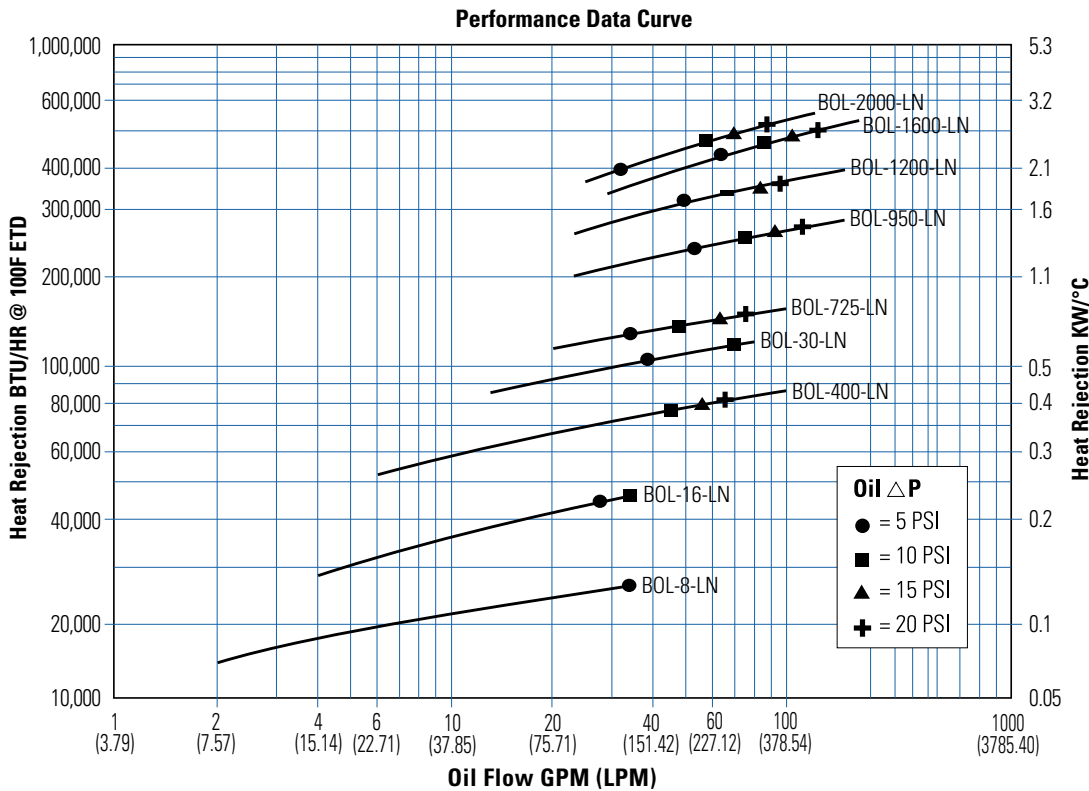
To calculate the oil entering temperature to the cooler, use this formula:
Oil Entering Temp. = Oil Leaving Temp. + Oil ΔT .

Oil Pressure Drop: Most systems can tolerate a pressure drop through the heat exchanger of 20 to 30 PSI. Excessive pressure drop should be avoided. Care should be taken to limit pressure drop to 5 PSI or less for case drain applications where high back pressure may damage the pump shaft seals.

Performance Curves

BOL Models with Low-Noise Option

The low noise option offers the BOL models with a reduced motor speed. This allows a lower sound level output for noise-sensitive applications.



Available on 60 Hz Nema frame only.

Electric Motor Information

Model	HP	Frame	Low Noise RPM	Low Noise CFM	Low Noise CMM	Voltage	Frequency (HZ)
8-1PH	0.33	48	1725	400	11.33	115/230	60
8-3PH	0.33	48	1725	400	11.33	208-230/460	60
16-1PH	0.50	48	1725	704	19.93	115/230	60
16-3PH	0.50	48	1725	704	19.93	208-230/460	60
30-1PH	0.50	56C	1160	1470	41.62	115/230	60
30-3PH	0.50	56C	1160	1470	41.62	208-230/460	60
400-1PH	1.00	56C	1725	1100	31.19	115/230	60
400-3PH	1.00	56C	1725	1100	31.19	208-230/460	60
725-1PH	1.50	56C	1725	1780	50.40	115/230	60
725-3PH	1.50	56C	1725	1780	50.40	208-230/460	60
950-1PH	1.50	145TC	1160	3150	89.19	115/230	60
950-3PH	1.50	145TC	1160	3150	89.19	208-230/460	60
1200-3PH	1.50	182TC	1160	4690	132.81	208-230/460	60
1600-3PH	2.00	184TC	1160	6510	184.34	208-230/460	60
2000-3PH	5.00	213TC	1160	8700	000.00	230/460	60

Sound Data

Model	DBA at 3 ft
BOL-8-LN	62
BOL-16-LN	69
BOL-30-LN	67
BOL-400-LN	72
BOL-725-LN	82
BOL-950-LN	76
BOL-1200-LN	75
BOL-1600-LN	78
BOL-2000-LN	85