

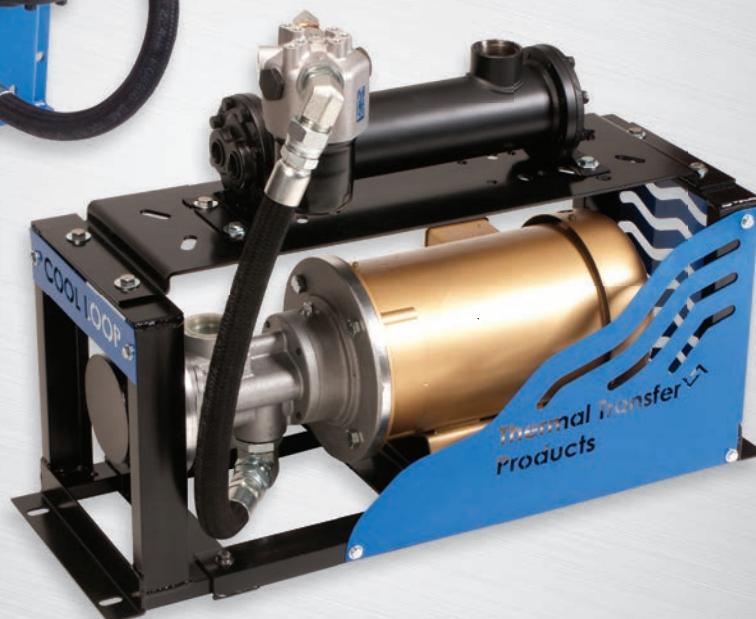
COLW SERIES

COOL LOOP – WATER COOLED



NEW SERIES!

Water Cooled Cool Loop
Offline Fluid Conditioning System



We **COOL**
what you
POWER

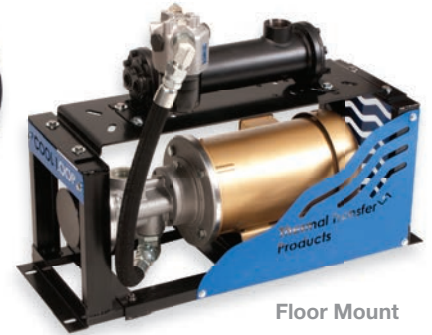
COLW SERIES

NEW SERIES!

Water Cooled Cool Loop
Offline Fluid Conditioning System

Ideal for independent cooling and filtering of system oils

- Utilizes a high efficient EK Series shell & tube (finned bundle) heat exchanger
- Wall mount on select models
- Low to medium pressure applications utilizing low noise screw pump technology
- Pump flows ranging 9.5 to 45 GPM (60 Hz) (30 to 140 LPM)
- Standard SAE connections on customer-integrated ports (BSPP adapters available)
- Optional cartridge-style filters with both visual and electrical bypass indicator options



Applications

Industrial

- Fluid Power, HPU (Hydraulic Power Units)
- Injection moulding machines
- Low to medium pressure filtration systems
- Hydro power
- Paper industry

Oil and Gas

- Oil lubrication transfer services

Power

- Turbine and compressors lubrication
- Seal oil applications and services
- Jacking oil systems,
- Filtration, lube services
- Oil transfer

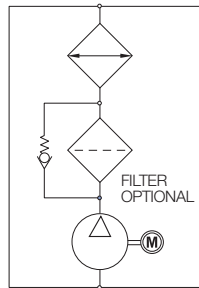
Gear Box Lube Oil

- Gear box lubrication systems

Fluid Compatibility

- Petroleum
- Mineral oil HLP and HLVP
- Ecologic fluids HETG-HEPG-HEE
- Cutting oils*
- Water/ethylene glycol*
- Water-oil emulsions*
- Water-Ethylene Glycol emulsions*

*Consult factory



Ratings

Maximum Operating Pressure

- Shell side: 250 PSI (17 BAR)
- Tube Side: 150 PSI (10.3 BAR)

Maximum Operating Temperature

- 250°F (121°C) without filter
- 230°F (110°C) with filter

Maximum Viscosity

- 150 cSt

Dimension Range

Model	Height	Width	Depth
COLW-20	21.94 (557)	31.94 (811)	11.5 (292)
COLW-40	21.94 (557)	31.94 (811)	11.5 (292)
COLW-80	24.92 (633)	32.91 (836)	11.5 (292)
COLW-100	32.11(816)	43.97 (1117)	11.5 (292)
COLW-20W	21.56 (548)	24.5 (622)	8.22 (209)
COLW-40W	24.59 (625)	24.5 (622)	10.36 (263)

Dimensions are in inches (millimeters).

