

**STAINLESS STEEL PLATES  
CARBON STEEL FRAME**

## Performance Notes

- Gasketed plate style heat exchanger
- Oil to water applications
- High performance
- Can be disassembled for internal cleaning
- Plates can be added /removed to accommodate change in performance
- Medium to very high flows
- PED / ASME / CRN codings available
- Special plate material options: titanium, hastelloy, SMO-254, nickel, 904L
- Special gasket material options: high temp NBR (150°C), EPDM, FPM, PTFE (Teflon®)
- Plate profile options: a deep gap, lower pressure drop plates for high viscosity fluids (Type S). Select models also offer a shallower gap, higher pressure drop & performance plates (Type X).

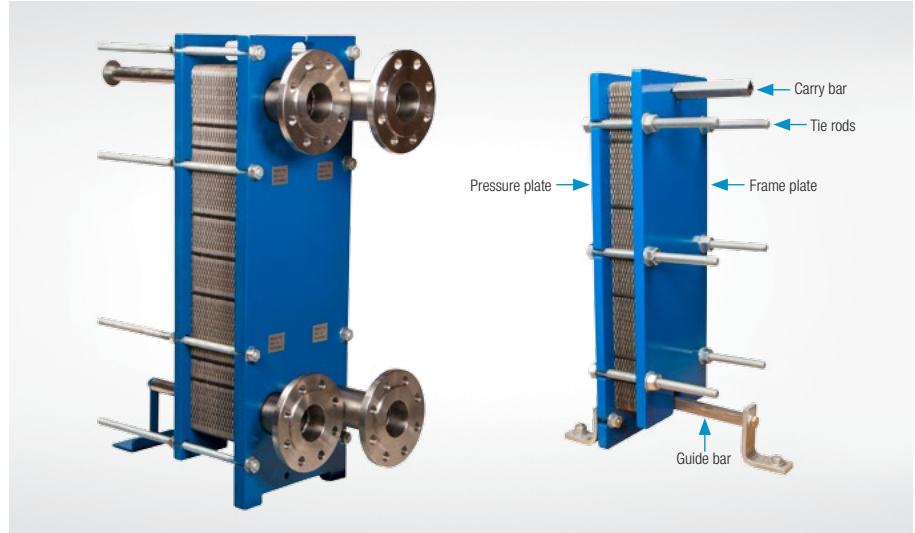
## Ratings

**Design Pressure**  
150 psi (10.5 BAR)

**Test Pressure**  
195 psi (13.4 BAR)

**Design Temperature**  
230°F (110°C)

**Minimum Working Temperature**  
32°F (0°C)



## Materials

### Internal

**Plates** Stainless steel

**Gaskets** NBR-clip

### External Frame

**Connections** Carbon steel, stainless steel

**Frame Plate** Carbon steel

**Pressure Plate** Carbon steel

**Tie Rods** Zinc plated steel

**Carry Bar** Zinc coated steel, stainless steel

**Guide Bar** Zinc coated steel, stainless steel

**Column** (if applicable) Carbon steel, aluminum

**Mounting Feet** Carbon steel

**Fasteners** Zinc plated steel

*Other materials are available. Consult factory for details.*

## Maximum Flow Rates

Port Size	Port Type	Maximum Flow GPM (LPM)
1	NPT	61 (231)
2	NPT	245 (927)
2.5	150# studded flange	382 (1446)
3	150# studded flange	551 (2086)
4	150# studded flange	979 (3706)
6	150# studded flange	2202 (8336)

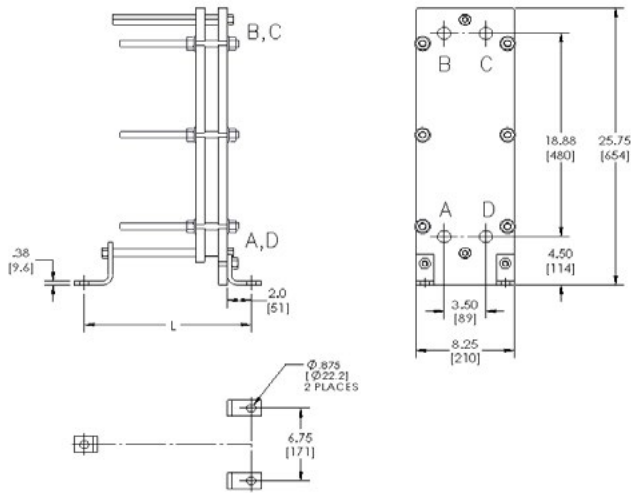
*GPM listed is for maximum critical port velocity of 25 ft/s*

## How to Order

PF	-		-		-		-		-		-			
Model Series PF		Number of Plates*		Frame Size*		Plate Size*		Hot Fluid (In) Connection (C)		Hot Fluid (Out) Connection (D)		Cold Fluid (In) Connection (A)		Cold Fluid (Out) Connection (B)

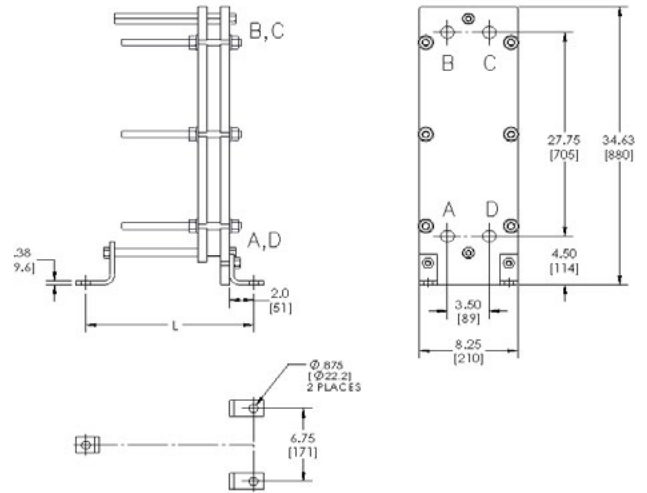
*\*See following pages for available cooler options*

# Dimensions



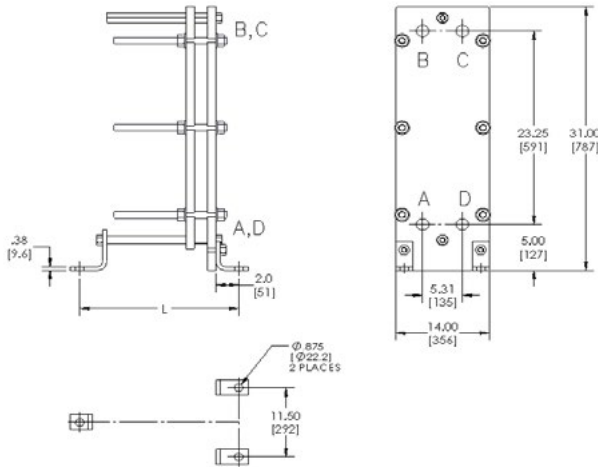
Nomenclature	Frame Size	Max No. of Plates	L	Connections
PF-NOP-200-8x26	200	34	14 (356)	1" NPT (INT)
PF-NOP-350-8x26	350	65	19.88 (505)	1" NPT (INT)
PF-NOP-500-8x26	500	99	25.88 (657)	1" NPT (INT)

NOP = Number of Plates. All dimensions are inches (millimeters).



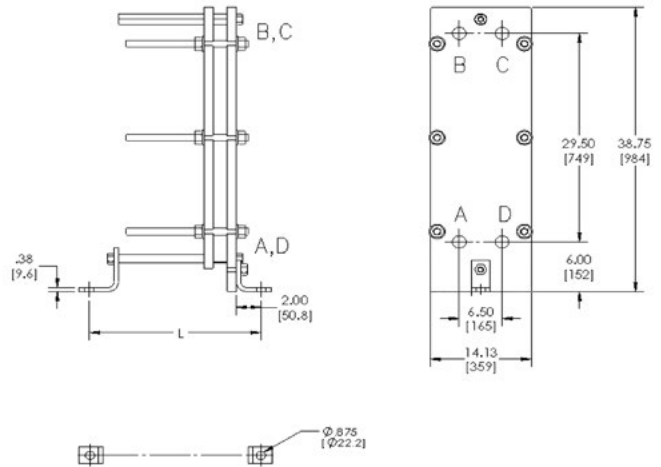
Nomenclature	Frame Size	Max No. of Plates	L	Connections
PF-NOP-200-8x35	200	37	15 (384)	1" NPT (INT)
PF-NOP-350-8x35	350	68	19.88 (505)	1" NPT (INT)
PF-NOP-500-8x35	500	99	25.88 (657)	1" NPT (INT)
PF-NOP-750-8x35	750	151	35.13 (892)	1" NPT (INT)

NOP = Number of Plates. All dimensions are inches (millimeters).



Nomenclature	Frame Size	Max No. of Plates	L	Connections
PF-NOP-350-14x31	350	30	19.13 (486)	2" NPT (INT)
PF-NOP-500-14x31	500	66	25.63 (651)	2" NPT (INT)
PF-NOP-750-14x31	750	125	35.63 (905)	2" NPT (INT)
PF-NOP-1000-14x31	1000	185	45.88 (1165)	2" NPT (INT)
PF-NOP-1250-14x31	1250	245	55.88 (1419)	2" NPT (INT)
PF-NOP-1500-14x31	1500	304	65.88 (1673)	2" NPT (INT)

NOP = Number of Plates. All dimensions are inches (millimeters).

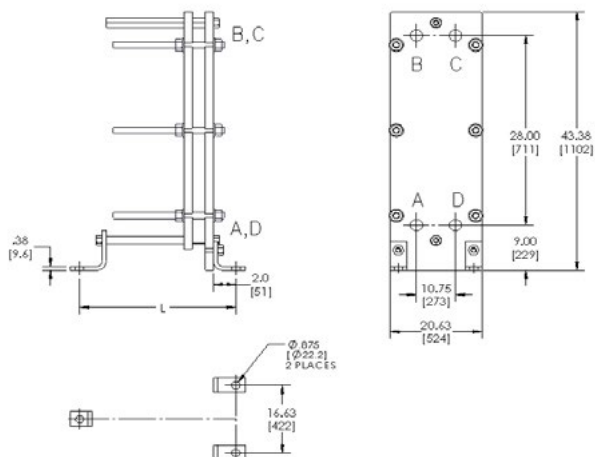


Nomenclature	Frame Size	Max No. of Plates	L	Connections
PF-NOP-200-14x39	200	30	13 (330)	2" NPT (INT)
PF-NOP-350-14x39	350	62	18.75 (476)	2" NPT (INT)
PF-NOP-500-14x39	500	100	24.75 (629)	2" NPT (INT)
PF-NOP-750-14x39	750	151	35.25 (895)	2" NPT (INT)
PF-NOP-1000-14x39	1000	176	45.5 (1156)	2" NPT (INT)
PF-NOP-1250-14x39	1250	240	55.5 (1410)	2" NPT (INT)
PF-NOP-1500-14x39	1500	303	65.5 (1664)	2" NPT (INT)

NOP = Number of Plates. All dimensions are inches (millimeters).

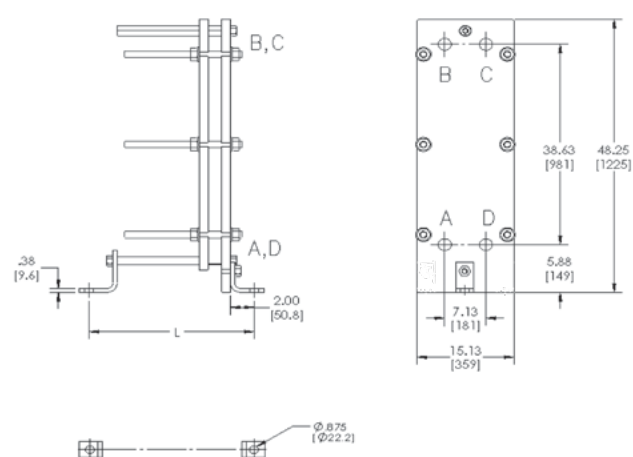
NOTE: We reserve the right to make reasonable design changes without notice.

# Dimensions



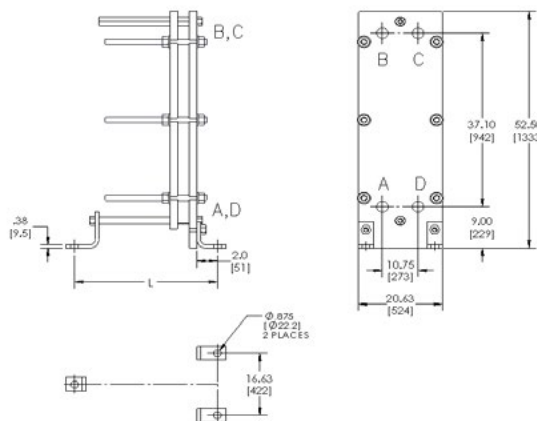
Nomenclature	Frame Size	Max No. of Plates	L	Connections
PF-NOP-500-21x43	500	43	25.5 (645)	4" 150# Studded
PF-NOP-750-21x43	750	104	35.5 (902)	4" 150# Studded
PF-NOP-1000-21x43	1000	161	45.75 (1162)	4" 150# Studded
PF-NOP-1250-21x43	1250	221	55.75 (1416)	4" 150# Studded
PF-NOP-1500-21x43	1500	283	65.75 (1670)	4" 150# Studded
PF-NOP-1750-21x43	1750	344	75.75 (1924)	4" 150# Studded
PF-NOP-2000-21x43	2000	404	85.75 (2178)	4" 150# Studded
PF-NOP-2250-21x43	2250	464	95.75 (2432)	4" 150# Studded

NOP = Number of Plates. All dimensions are inches (millimeters).



Nomenclature	Frame Size	Max No. of Plates	L	Connections
PF-NOP-500-15x48	500	63	25.25 (641)	2.5" 150# Studded
PF-NOP-750-15x48	750	99	35.25 (895)	2.5" 150# Studded
PF-NOP-1000-15x48	1000	116	45.5 (1156)	2.5" 150# Studded
PF-NOP-1250-15x48	1250	160	55.5 (1410)	2.5" 150# Studded
PF-NOP-1500-15x48	1500	203	65.5 (1664)	2.5" 150# Studded
PF-NOP-1750-15x48	1750	247	75.5 (1918)	2.5" 150# Studded
PF-NOP-2000-15x48	2000	291	85.5 (2172)	2.5" 150# Studded
PF-NOP-2250-15x48	2250	335	95.5 (2426)	2.5" 150# Studded

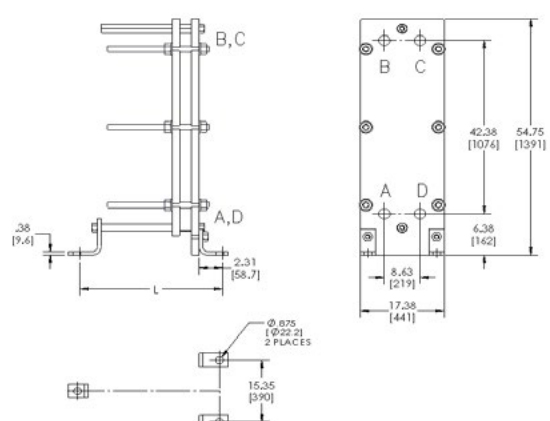
NOP = Number of Plates. All dimensions are inches (millimeters).



Nomenclature	Frame Size	Max No. of Plates	L	Connections
PF-NOP-500-21x52	500	37	25.5 (645)	4" 150# Studded
PF-NOP-750-21x52	750	97	35.5 (902)	4" 150# Studded
PF-NOP-1000-21x52	1000	159	45.75 (1162)	4" 150# Studded
PF-NOP-1250-21x52	1250	218	55.75 (1416)	4" 150# Studded
PF-NOP-1500-21x52	1500	280	65.75 (1670)	4" 150# Studded
PF-NOP-1750-21x52	1750	340	75.75 (1924)	4" 150# Studded
PF-NOP-2000-21x52	2000	401	85.75 (1162)	4" 150# Studded
PF-NOP-2250-21x52	2250	462	95.75 (2432)	4" 150# Studded

NOP = Number of Plates. All dimensions are inches (millimeters).

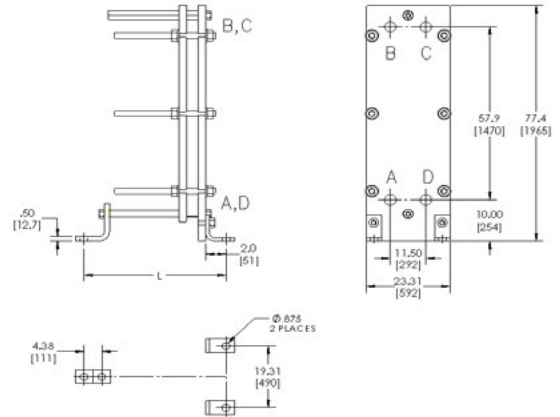
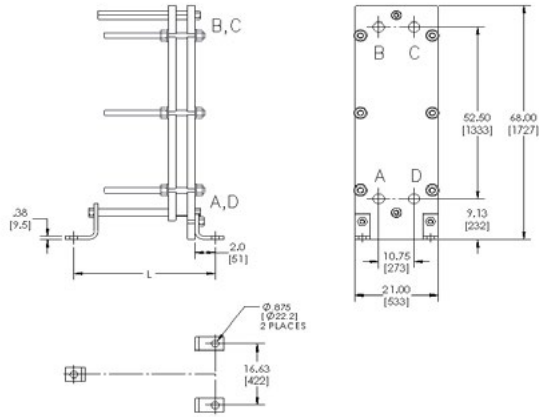
NOTE: We reserve the right to make reasonable design changes without notice.



Nomenclature	Frame Size	Max No. of Plates	L	Connections
PF-NOP-500-17x55	500	17	26.31 (668)	3" 150# Studded
PF-NOP-750-17x55	750	60	36.31 (922)	3" 150# Studded
PF-NOP-1000-17x55	1000	103	46.56 (1183)	3" 150# Studded
PF-NOP-1250-17x55	1250	146	56.56 (1437)	3" 150# Studded
PF-NOP-1500-17x55	1500	189	66.56 (1691)	3" 150# Studded
PF-NOP-1750-17x55	1750	232	76.56 (1945)	3" 150# Studded
PF-NOP-2000-17x55	2000	275	86.56 (1437)	3" 150# Studded
PF-NOP-2250-17x55	2250	366	106.56 (2707)	3" 150# Studded

NOP = Number of Plates. All dimensions are inches (millimeters).

# Dimensions



Nomenclature	Frame Size	Max No. of Plates	L	Connections
PF-NOP-500-21x68	500	43	25.63 (651)	4" 150# Studded
PF-NOP-750-21x68	750	105	35.63 (905)	4" 150# Studded
PF-NOP-1000-21x68	1000	157	45.88 (1165)	4" 150# Studded
PF-NOP-1250-21x68	1250	218	55.88 (1419)	4" 150# Studded
PF-NOP-1500-21x68	1500	278	65.88 (1673)	4" 150# Studded
PF-NOP-1750-21x68	1750	339	75.88 (1927)	4" 150# Studded
PF-NOP-2000-21x68	2000	399	85.88 (2181)	4" 150# Studded
PF-NOP-2250-21x68	2250	460	95.88 (2435)	4" 150# Studded

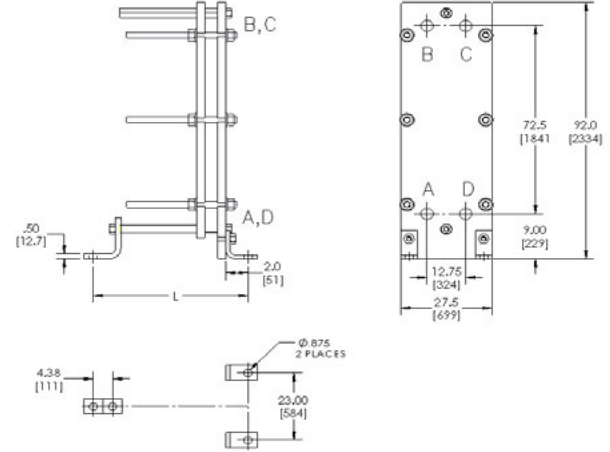
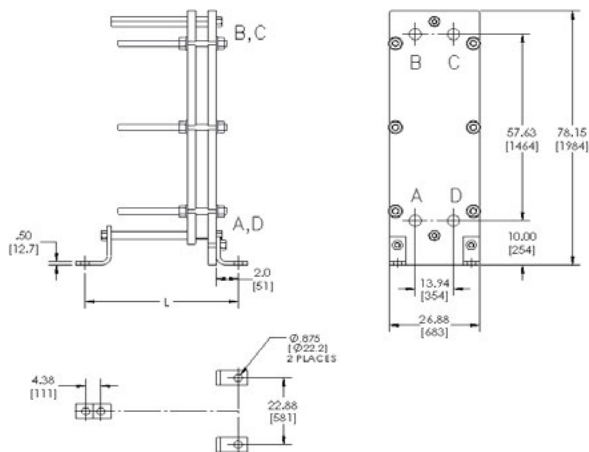
NOP = Number of Plates. All dimensions are inches (millimeters).

Nomenclature	Frame Size	Max No. of Plates	L	Connections
PF-NOP-750-23x77	750	29	36.34 (923)	6" 150# Studded
PF-NOP-1000-23x77	1000	68	46.09 (1171)	6" 150# Studded
PF-NOP-1250-23x77	1250	107	56.09 (1425)	6" 150# Studded
PF-NOP-1500-23x77	1500	147	66.09 (1679)	6" 150# Studded
PF-NOP-1750-23x77	1750	187	76.09 (1933)	6" 150# Studded
PF-NOP-2000-23x77	2000	227	86.09 (2187)	6" 150# Studded
PF-NOP-2250-23x77	2250	266	96.09 (2241)	6" 150# Studded
PF-NOP-2500-23x77	2500	306	106.09 (2695)	6" 150# Studded
PF-NOP-2750-23x77	2750	346	116.09 (2949)	6" 150# Studded
PF-NOP-3000-23x77	3000	386	126.09 (3203)	6" 150# Studded
PF-NOP-3250-23x77	3250	426	136.09 (3457)	6" 150# Studded
PF-NOP-3500-23x77	3500	466	146.09 (3711)	6" 150# Studded
PF-NOP-3750-23x77	3750	506	156.09 (3965)	6" 150# Studded

NOP = Number of Plates. All dimensions are inches (millimeters).

NOTE: We reserve the right to make reasonable design changes without notice.

# Dimensions



Nomenclature	Frame Size	Max No. of Plates	L	Connections
PF-NOP-750-27x78	750	29	37.38 (949)	6" 150# Studded
PF-NOP-1000-27x78	1000	68	47.13 (1197)	6" 150# Studded
PF-NOP-1250-27x78	1250	107	57.13 (1451)	6" 150# Studded
PF-NOP-1500-27x78	1500	147	67.13 (1705)	6" 150# Studded
PF-NOP-1750-27x78	1750	187	77.13 (1959)	6" 150# Studded
PF-NOP-2000-27x78	2000	227	87.13 (2213)	6" 150# Studded
PF-NOP-2250-27x78	2250	266	97.13 (2467)	6" 150# Studded
PF-NOP-2500-27x78	2500	306	107.13 (2721)	6" 150# Studded
PF-NOP-2750-27x78	2750	346	117.13 (2975)	6" 150# Studded
PF-NOP-3000-27x78	3000	386	127.13 (3229)	6" 150# Studded
PF-NOP-3250-27x78	3250	426	137.13 (3483)	6" 150# Studded
PF-NOP-3500-27x78	3500	466	147.13 (3737)	6" 150# Studded
PF-NOP-3750-27x78	3750	506	157.13 (3991)	6" 150# Studded
PF-NOP-4000-27x78	4000	546	167.13 (4245)	6" 150# Studded

NOP = Number of Plates. All dimensions are inches (millimeters).

Nomenclature	Frame Size	Max No. of Plates	L	Connections
PF-NOP-750-27x92	750	29	36.63 (930)	6" 150# Studded
PF-NOP-1000-27x92	46.38	68	46.38 (1178)	6" 150# Studded
PF-NOP-1250-27x92	56.38	107	56.38 (1432)	6" 150# Studded
PF-NOP-1500-27x92	66.38	147	66.38 (1686)	6" 150# Studded
PF-NOP-1750-27x92	76.38	187	76.38 (1940)	6" 150# Studded
PF-NOP-2000-27x92	86.38	227	86.38 (2194)	6" 150# Studded
PF-NOP-2250-27x92	96.38	266	96.38 (2448)	6" 150# Studded
PF-NOP-2500-27x92	106.38	306	106.38 (2702)	6" 150# Studded
PF-NOP-2750-27x92	116.38	346	116.38 (2956)	6" 150# Studded
PF-NOP-3000-27x92	126.38	386	126.38 (3210)	6" 150# Studded
PF-NOP-3250-27x92	136.38	426	136.38 (3464)	6" 150# Studded
PF-NOP-3500-27x92	146.38	466	146.38 (3718)	6" 150# Studded
PF-NOP-3750-27x92	156.38	506	156.38 (3972)	6" 150# Studded
PF-NOP-4000-27x92	166.38	546	166.38 (4226)	6" 150# Studded

NOP = Number of Plates. All dimensions are inches (millimeters).

NOTE: We reserve the right to make reasonable design changes without notice.