

Automatic Float Drain

FD-25 and FD-50 Models

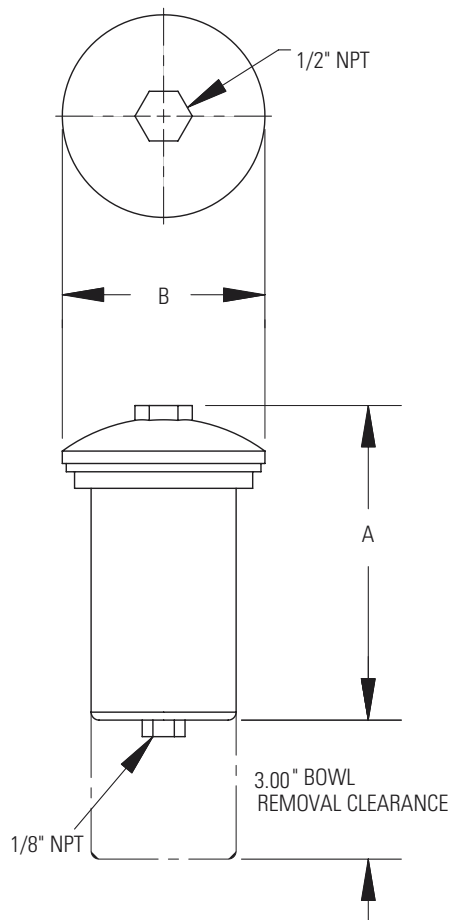
Two Models to fit most applications. Rugged zinc cast housing. Equipped with quick disconnect bowls for easy servicing. Economical cost.

Specifications

Model Number	Part Number	PSI Maximum	Temp °F Maximum	Approximate Weight (LBS)
FD-25	66278	200	175	2.0
FD-50	66279	200	175	5.0

Dimensions

Model Number	A	B
FD-25	4.75	3.06
FD-50	8.50	4.75



Compressed Air Separators



S-50 and S-100 Models

Two Models: One with a built-in automatic float style drain, the second with a 1/8" NPT connection with manual shut off valve. Rugged cast zinc housing. Equipped with quick disconnect bowls for easy service.



S-200 thru S-1700 Models

Four models to fit most applications. Unique high efficiency design provides wide SCFM capacity range without loss in performance. Sturdy, lightweight aluminum construction for long dependable service. NPT threaded drain connection for installation of an electronic, manual or automatic float style drain. Low differential pressure at maximum flow ratings. Externally and internally epoxy painted for maximum corrosion protection.



Model S-2600-M/S-2600-4F

1500 thru 3500 SCFM capacity. Consult factory for details on larger models thru 16,000 SCFM. (S-2600-4F shown above.)

Maintenance*

1. Depressurize unit before removing bowl.
2. A. If unit is equipped with a manual petcock, drain bowl at least once per workshift. More frequent draining may be required.
 - B. If unit is equipped with an automatic float drain attached to the bowl, clean by turning bowl upside down, tapping on table top, and blow clean with airblow gun.
3. If bowl seal is cracked, damaged, or deteriorated, replace with approved seal.

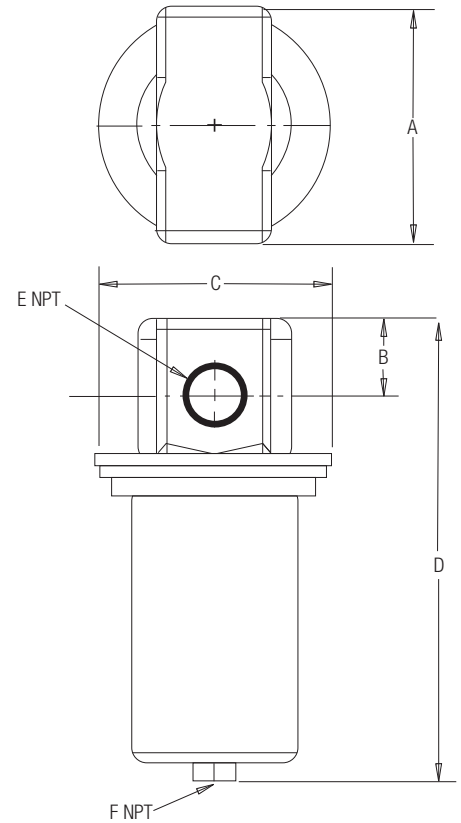
*Service parts are not available.

Compressed Air Separators

Dimensions

Model Number	A	B	C	D	E (NPT)	F (NPT)	Weight LBS.
S-50 M	3.25	0.98	3.25	7.20	½"	⅛"	2.9
S-100 M	4.62	1.00	4.75	10.00	1"	⅛"	6.0
S-100 AD	4.62	1.00	4.75	10.00	1"	⅛"	6.0
S-200 M	5.10	1.60	4.38	10.80	1"	½"	4.8
S-300 M	6.70	2.00	4.38	17.00	1½"	½"	11.2
S-600 M	6.70	2.00	6.00	17.00	2"	½"	11.2
S-1700 M	8.10	2.40	7.75	19.90	3"	½"	22.0
S-2600 M	13.75	7.25	8.62	30.50	4"	¾"	85.0
S-2600 4F	16.75	7.25	8.62	30.50	4" Flg	¾"	100.0

*Supplied with manual shut off valve.



Specifications

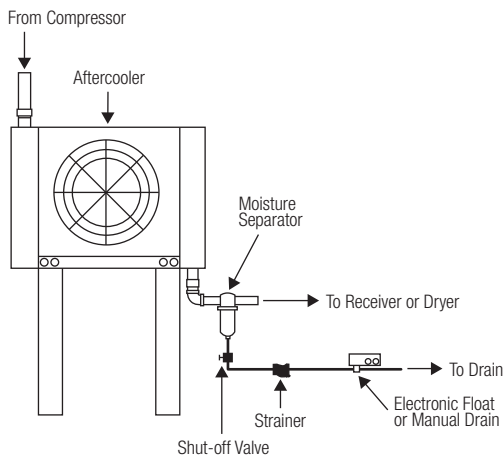
Model Number	SCFM Range 100 PSIG		Δ P At Maximum SCFM	PSI Maximum	Temp °F Maximum	Bowl Maximum	Drain Type
	Minimum	Maximum					
S-50 M	5	50	0.5	200	175	Cast Zinc	Manual
S-50 AD	5	50	0.5	200	175	Cast Zinc	Automatic with Internal Float
S-100 M	11	120	0.5	200	175	Cast Zinc	Manual
S-100 AD	11	120	0.5	200	175	Cast Zinc	Automatic with Internal Float
S-200 M	11	233	0.7	232	176	Aluminum	Manual
S-300 M	60	472	1.0	232	176	Aluminum	Manual
S-600 M	100	742	1.3	232	176	Aluminum	Manual
S-1700 M	260	1700	1.0	232	176	Aluminum	Manual
S-2600 M	1500	3500	1.5	150	350	Carbon Steel	Manual
S-2600 4F	1500	3500	1.5	150	350	Carbon Steel	Manual

MINIMUM OPERATING TEMPERATURE - 35°F

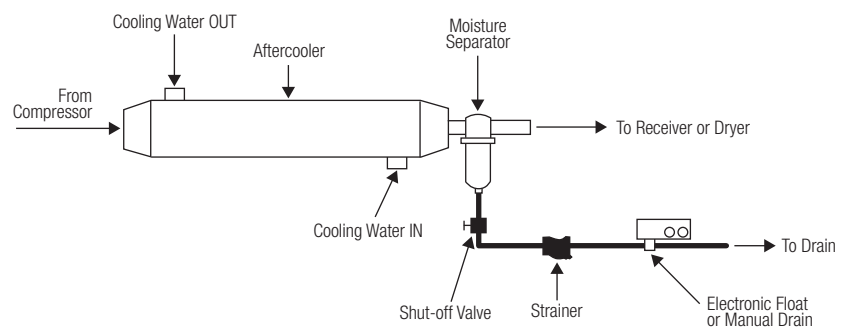
Specifications and dimensions subject to change without notice.

Recommended Typical Installation

Air Cooled Equipment

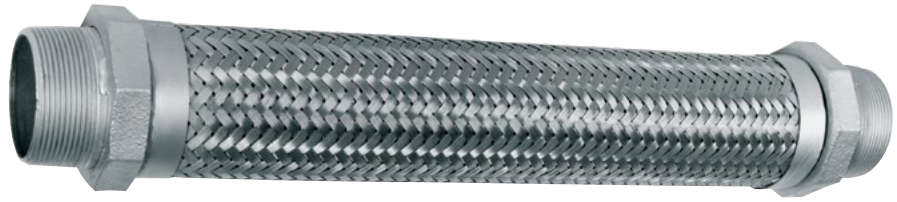


Water Cooled Equipment



Flexible Metal Hose

Designed to isolate damaging vibration, dampen noise and absorb thermal expansion from pumps and compressors to other related equipment. Hose is of corrosion resistant type 304 stainless steel. Connectors are carbon steel schedule 40 external NPT with hex nut attachments on both ends for easy installation. Couplings are welded to assure dependable leak free operation.



Specifications & Dimensions

Part Number	Connections NPT	Hose Inside Diameter	Overall Length	Working Pressure PSI			Fitting Length (Each End)	Approximate Shipping Weight (LBS)
				At 70°	At 300°	At 400°		
67492	.5	.5	10	1000	900	863	2.00	2.0
66271	1.0	1.0	12	525	460	435	1.75	2.0
66272	1.5	1.5	16	450	395	370	2.00	3.0
66273	2.0	2.0	18	400	350	330	2.00	4.5
66274	2.5	2.5	20	285	250	235	2.50	8.5
67442	3.0	3.0	22	265	230	220	3.00	12.5
66275	4.0	4.0	24	260	225	215	4.00	14.5

All dimensions are inches. Maximum operating temperature 1500°F. Other sizes and lengths available—consult factory.

Dimensions

Part Number	Description
67492	.5 x 10 Flex Hose
66271	1 x 12 Flex Hose
66272	1.5 x 16 Flex Hose
66273	2 x 18 Flex Hose
66274	2.5 x 20 Flex Hose
67442	3 x 22 Flex Hose
66275	4 x 24 Flex Hose

All shipments FOB Racine, WI USA

Installation

The satisfactory performance of flexible hoses is dependent upon certain precautions which must be taken at the time of installation.

1. Install the flexible hose directly on the pump, compressor or other equipment. If this is not practical, install as close as possible to the source of vibration.
2. **Do not** compress, twist or stretch during installation. Premature failure will result.
3. Flexible hoses must be installed so that its length is perpendicular to the direction of the vibration.
3. Support piping as needed to eliminate stress to the flexible hose. It must support only its own weight.