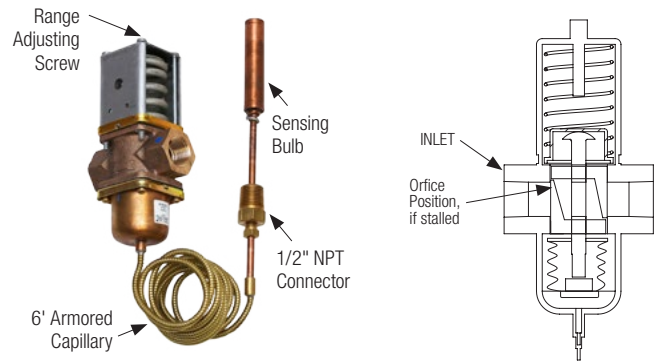


Modulating Water Valves and Bulb Wells

APPLICATION: These modulating valves regulate the flow of water to the heat exchanger to maintain a desired exiting oil temperature. They open automatically when temperature increases at the sensing bulb. **No** external power source is required to actuate the valve. **Not to be** used for salt water service.

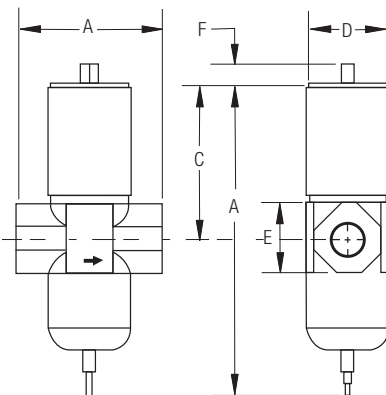
ADJUSTMENT: 1/2" to 1 1/4" valves can be adjusted with a screwdriver, 1 1/2" and 2" have a 1/2" square shaft. Turn the adjusting screw clockwise to **decrease** opening temperature; and counterclockwise to **increase** opening temperature. Valves are not calibrated, so final desired temperature setting must be established experimentally. Valve is fully open 36°F above opening point.



| Part Number | Water Valves | | | | Bulb Well Recommended Size |
|-------------|-----------------|-----------------------|-------------------------------------|--------------------|----------------------------|
| | Pipe Size (NPT) | Range (Opening Point) | Sensing Bulb Size Diameter X Length | Maximum Water Flow | |
| 65293 | 1/2" | 115°F to 180°F | 11/16" x 3 1/4" | 25 GPM | 65140 |
| 65127 | 3/4" | 115°F to 180°F | 11/16" x 3 1/4" | 40 GPM | 65140 |
| 65128 | 1" | 115°F to 180°F | 11/16" x 6" | 55 GPM | 65141 |
| 65146 | 1 1/4" | 115°F to 180°F | 11/16" x 6" | 75 GPM | 65141 |
| 65511 | 1/2" | 75°F to 135°F | 11/16" x 10" | 25 GPM | 65380 |
| 65253 | 3/4" | 75°F to 135°F | 11/16" x 10" | 40 GPM | 65380 |
| 65254 | 1" | 75°F to 135°F | 11/16" x 16 1/4" | 55 GPM | 67438 |
| 65255 | 1 1/4" | 75°F to 135°F | 11/16" x 16 1/4" | 75 GPM | 67438 |
| 66100 | 1 1/2" ASME | 75°F to 135°F | 11/16" x 16 1/4" | 90 GPM | 67438 |
| 67173 | 2" ASME | 75°F to 115°F | 11/16" x 43" | 150 GPM | 67808 |

Working pressure to 150 PSI Maximum. *For additional protection of the bulb well stem, use the next longer bulb well.

Water Valves



| Valve Size | Dimensions (Inches) | | | | | | Approximate Shipping Weight (LBS) |
|------------|---------------------|----------|---------|--------|------------------|-------|-----------------------------------|
| | A | B | C | D | E | F | |
| 1/2" | 3/4 | 7 | 3 3/8 | 1 7/32 | 1 1/2 | 1 1/2 | 4.3 |
| 3/4" | 3 1/16 | 7 29/64 | 3 51/64 | 2 1/32 | 1 3/4 | 1 3/2 | 5.8 |
| 1" | 4 27/32 | 10 13/16 | 5 31/64 | 2 5/8 | 2 | 1/2 | 10 |
| 1-1/4" | 4 59/64 | 10 37/64 | 5 49/64 | 2 5/8 | 2 3/8 | 1/2 | 12 |
| 1-1/2" | 5 1/16 | 10 37/64 | 5 49/64 | 2 5/8 | See Flange below | 1/2 | 18 |
| 2" | 6 3/8 | 12 33/64 | 6 15/32 | 3 1/2 | | 1/2 | 27 |

| Valve Size | Flange Specifications (Inches) | | | |
|------------|--------------------------------|----------------|-------------|-----------------|
| | Number of Bolt Holes | Bolt Hole size | Bolt Circle | Flange Diameter |
| 1/2" | 4 | 5/8 | 3 3/8 | 5 |
| 2" | 4 | 5/8 | 4 3/4 | 6 |

Standard temperature elements are furnished with 6' capillary. Longer capillary lengths not available. Valve Disc: Buna N in brass disc retainer.

Modulating Water Valves and Bulb Wells

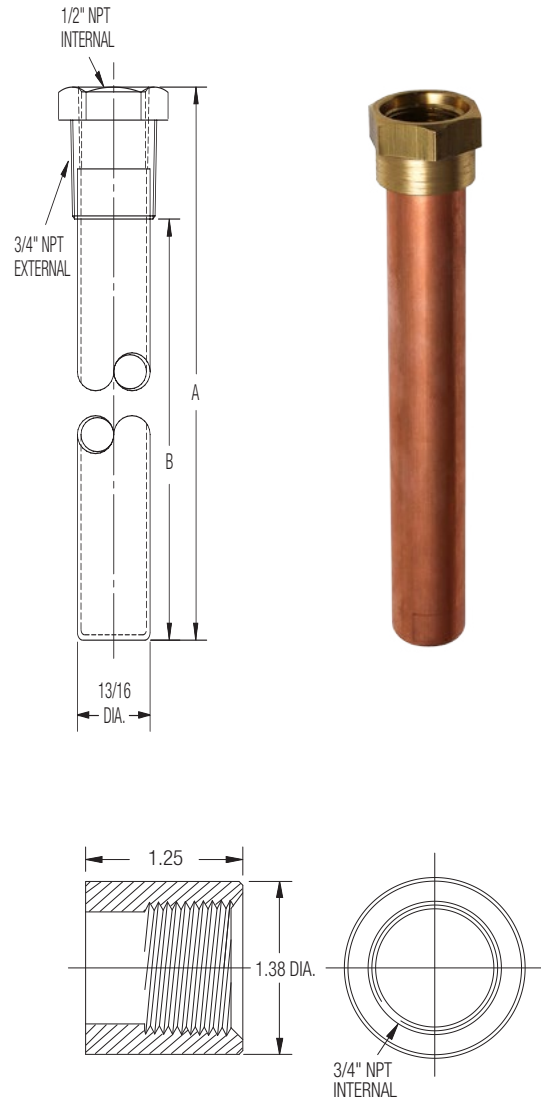
Bulb Wells

| Bulb Well Part Number | Dimensions In Inches | | Approximate Shipping Weight (LBS) | Materials |
|-----------------------|------------------------------------|------------------------------------|-----------------------------------|--------------------------------|
| | A | B | | |
| 65140 | 4 ¹⁵ / ₃₂ " | 3 ¹⁵ / ₃₂ " | 1 | Tube: Copper Fitting: Brass |
| 65141 | 7 ¹ / ₃₂ " | 6 ¹ / ₃₂ " | 1 | |
| 65280 | 11 ¹ / ₃₂ " | 10 ¹ / ₃₂ " | 1 | |
| 67438 | 17 ¹⁵ / ₃₂ " | 16 ¹⁵ / ₃₂ " | 1 | |
| 67808 | 44 ³ / ₈ " | 43 ³ / ₈ " | 1 | |

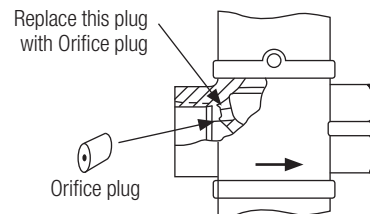
Custom Bulb Well lengths available. Consult factory for additional information.

| Water Valve Part Number | By-Pass Orifice Diameter | Maximum Bulb Temperature °F | Opening Temperature (Factory Setting) °F |
|-------------------------|--------------------------|-----------------------------|--|
| 65293 | .062" | 200 | 135 |
| 65127 | .062" | 200 | 135 |
| 65128 | .093" | 200 | 135 |
| 65146 | .093" | 200 | 135 |
| 65511 | .062" | 150 | 103 |

| Water Valve Part Number | By-Pass Orifice Diameter | Maximum Bulb Temperature °F | Opening Temperature (Factory Setting) °F |
|-------------------------|--------------------------|-----------------------------|--|
| 65253 | .062" | 200 | 135 |
| 65254 | .062" | 200 | 135 |
| 65255 | .093" | 200 | 135 |
| 66100 | .093" | 200 | 135 |
| 67173 | .125" | 155 | 103 |



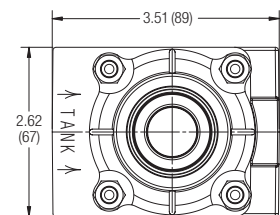
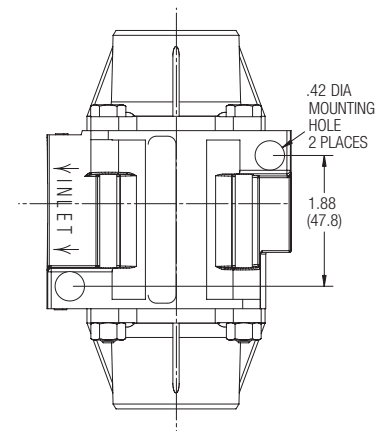
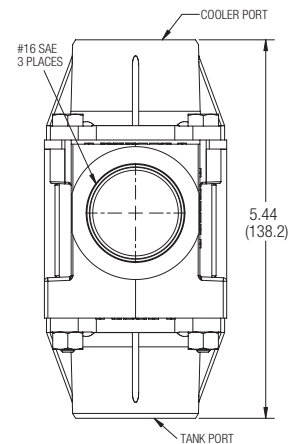
65187 Half Coupling - Mount to Reservoir. For use with all bulb wells shown above.



All stock valves are supplied with a drilled and tapped internal by-pass in the regulator body. A solid plug is installed in this hole for 100% shut-off. A drilled orifice plug is packed in an envelope with each valve for field installation, if continuous minimum flow is required.

Thermal Bypass Assembly

This thermal bypass valve is ideally suited for hydrostatic drive circuits which require fast warm-up, controlled fluid temperature, and low return line back pressure. When installed in the return line of a hydraulic circuit that employs an oil cooler, this device will modulate fluid temperature by either shifting return line flow through the cooler, or bypassing directly to the reservoir. In addition, a built-in pressure relief function automatically relieves excess pressure to the reservoir should the cooler become restricted and resultant pressure drop become too high for the cooler circuit.



Standard Shift Temperatures

100°F (38°C) 120°F (49°C) 140°F (60°C) 160°F (71°C)

Full Shift (Cooler Port Open) Temperatures

Shift temperature plus 25°F (14°C)

Relief Valve Setting 65 PSI (4.5 BAR) *Consult factory for other pressure settings.*

Maximum Operating Pressure 250 PSI (17 BAR)

Proof Pressure 300 PSI (21 BAR)

Minimum Burst Pressure

Up to the full shift temperature: 325 PSI (22 BAR).

Above the full shift temperature: 600 PSI (41 BAR).

Minimum Operating Temperature -30°F (-34°C)

Maximum Operating Temperature Shift temperature plus 75°F (24°C)

Maximum Flow Rating 60 GPM (227 l/m)

Leakage @ 250 PSI (17 BAR) and 60 GPM (227 l/m) Inlet Flow

Cooler Port:

- 0.5 GPM (2 l/m) maximum up to 5°F (3°C) before shift temp.
- 1.0 GPM (4 l/m) maximum from 5°F (3°C) before shift to shift.

Tank Port: 0.10 GPM (0.4 l/m) maximum

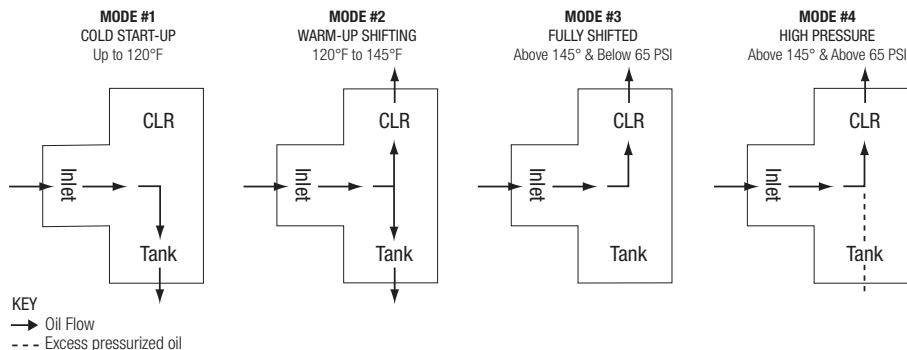
Operating Fluid Mineral base hydraulic fluids

Construction Aluminum die-cast housing

Operating Characteristics

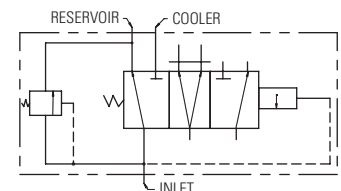
- Mode 1: At temperatures below the shift temperature oil flows from inlet to tank port.
- Mode 2: At temperatures between the start of shift and full shift the flow from the inlet port is divided between the cooler and tank ports.
- Mode 3: At temperatures above the full shift temperature inlet flow is through the cooler port.
- Mode 4: At temperatures above the full shift temperature the excess pressure is relieved through the tank port.

For 120°F Shift Temperature



NOTE: If the temperature drops below 145°F the valve will shift back to modes 2 or 1.

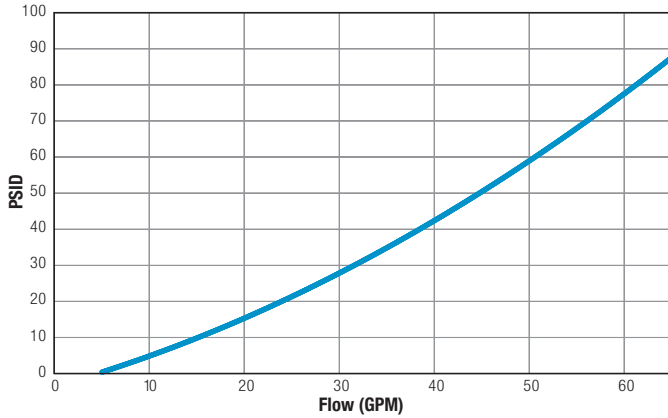
Graphic Symbol



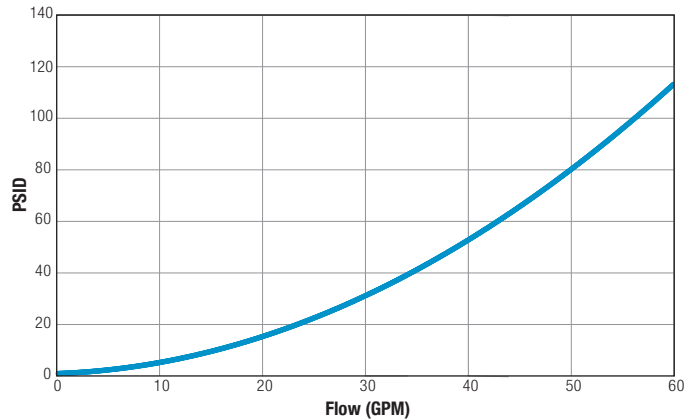
Thermal Bypass Assembly

Pressure Drop (Mobile DTE 26 OIL)

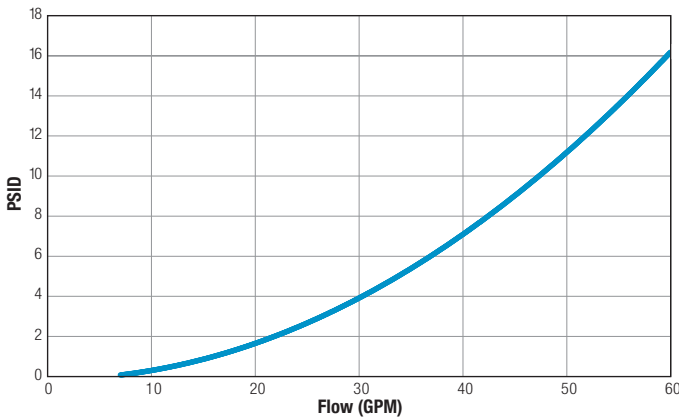
Inlet Port Thru Tank Port
@ 100°F (38°C) (300 SUS)



Inlet Port Over Integral Relief Valve
@ 170°F (77°C) (78 SUS)



Inlet Port Thru Cooler Port
@ 145°F (63°C) (110 SUS)



NOTE: Pressure drop shown is added to relief valve crack pressure for total pressure drop.

| Part Number | Shift Temperature |
|-------------|-------------------|
| 65654 | 100°F (38°C) |
| 65655 | 120°F (49°C) |
| 65656 | 140°F (60°C) |
| 65657 | 160°F (71°C) |

How to Order Consult factory for pricing and lead time

- - Thermal Bypass Assembly

Part Number

Pressure Setting
 65 = Standard, 65 PSI
 Optional pressure settings available in 5 PSI increments, up to 85 PSI.

Three-Way Thermostatic Valves

1/2", 3/4", 1", 1 1/2" & 2" NPT Ports*

- Self-contained
- Wide range of temperatures
- Rugged construction
- Non-adjustable
- Heavy duty
- Operate in any position
- Tamper-proof
- Replaceable element
- Compact



Materials

Housing Grey iron (steel or bronze optional)
125 PSI maximum operating pressure

O-Ring Seals Viton (Buna N optional)

*3", 4" and 6" Flange Models also available.

Operation

TTP thermostatic valves use the principle of expanding wax. A self-contained power element activates a stainless steel sliding valve that provides a positive three-way valve action. All temperature settings are factory set. Elements are field replaceable to obtain the same, or a new bypass temperature setting.

On starting, total flow is in the bypass mode. As the fluid temperature rises, some fluid is diverted to the cooling system. As fluid temperature continues to rise, more flow is diverted until the valve is fully stroked. At this point, all the flow is diverted to the cooler. With respect to temperature ranges, the "nominal" temperature represents the "operating temperature."

Valves are acceptable for oil or water service.

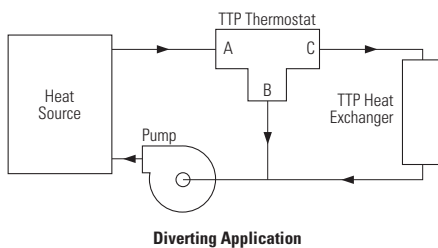
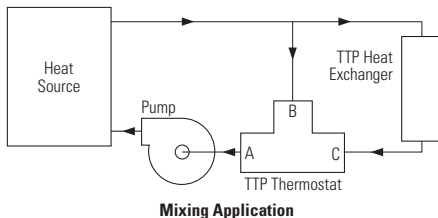
Applications

Three Way Thermostatic Valves may be installed for either mixing or diverting modes of operation at the preference of the user. They may be mounted in any plane.

When installed as a mixing valve, it is on the cold side of the application, and mixes hot liquid with cooled liquid to discharge the proper temperature fluid to the process.

When installed as a diverting valve, it is on the hot side of the application, and bypasses the cold liquid allowing the system to warm up, then directs the hot liquid to the cooler.

Temperature settings are nominal. 110°F and 140°F are standard. Other settings are available upon request. The valves begin to "shift" (open) about 10°F below the nominal temperature setting and are fully shifted about 10°F above.



Typical Installation

Hydraulic Power Units Diverting mode 110°F

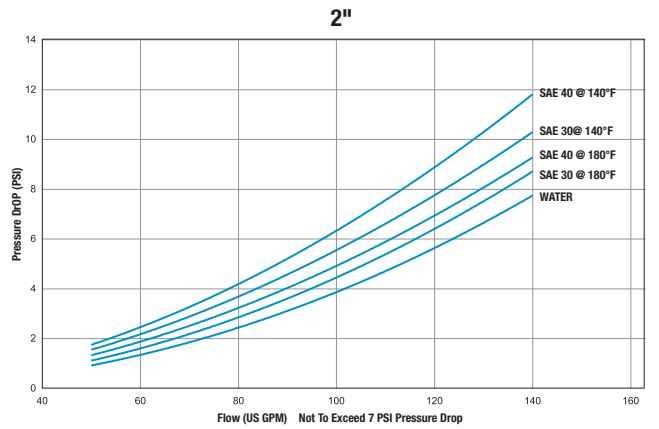
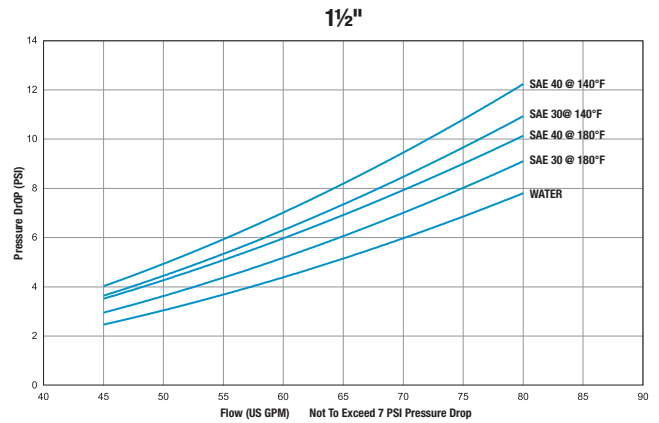
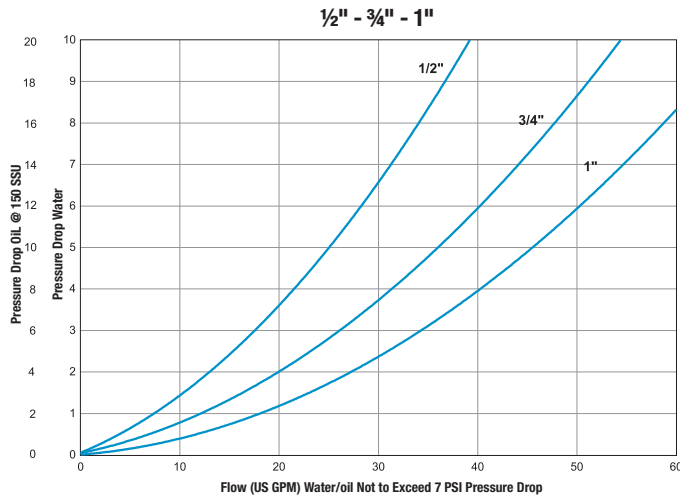
Air Compressors Mixing mode 140°F

Mobile Oil Coolers Diverting mode 110°F

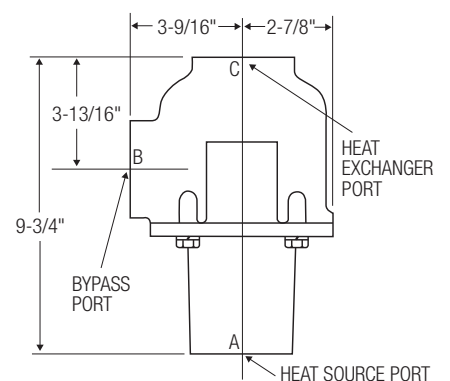
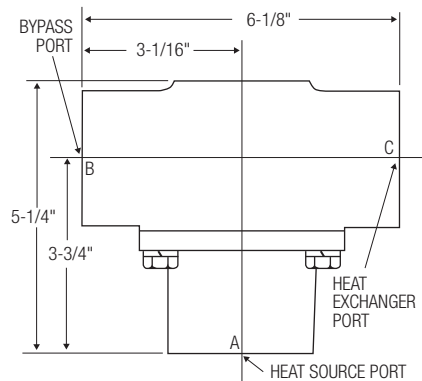
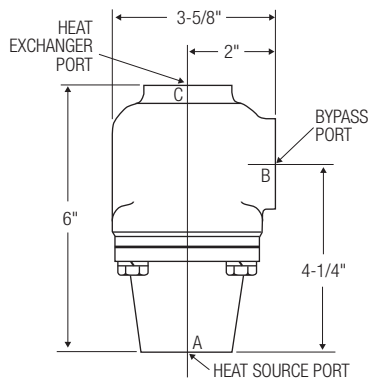
Radiators Diverting mode 190°F

Three-Way Thermostatic Valves

Pressure Drop Curves



Dimensions and Part Numbers



| Port Size | Part Number |
|-----------|-------------|
| 1/2" NPT | 66037-110°F |
| 1/2" NPT | 66037-140°F |
| 3/4" NPT | 66038-110°F |
| 3/4" NPT | 66038-140°F |
| 1" NPT | 66039-110°F |
| 1" NPT | 66039-140°F |
| #16 SAE | 67365-110°F |
| #16 SAE | 67365-140°F |

| Port Size | Part Number |
|------------|-------------|
| 1 1/2" NPT | 66040-110°F |
| 1 1/2" NPT | 66040-140°F |
| #24 SAE | 67760-110°F |

| Port Size | Part Number |
|-----------|-------------|
| 2" NPT | 66041-105°F |
| 2" NPT | 66041-140°F |

NOTE: All three ports on any one valve have the same thread size.

Three-Way Thermostatic Valves

Special Temperature Ranges

| ½" - ¾" - 1" NPT Part Numbers | 1½" NPT Part Numbers | 2" NPT Part Numbers |
|----------------------------------|-------------------------|------------------------|
| 65974 | 65977 | 65978 |
| 65975 | 66040 | 66041 |
| 65976 | 67760 | |
| 66037 | (#24 SAE) | |
| 66038 | | |
| 66039 | | |
| 67365 | | |
| (#16 SAE) | | |

| ½" - ¾" - 1" NPT | | 1½" NPT | | 2" NPT | |
|------------------|------------------------|---------|------------------------|---------|------------------------|
| Nominal | Temperature Range (°F) | Nominal | Temperature Range (°F) | Nominal | Temperature Range (°F) |
| 80 | 77-88 | 80 | 70-88 | 75 | 70-85 |
| 90 | 80-100 | 90 | 80-100 | 90 | 85-105 |
| 110 | 100-120 | 110 | 100-120 | 105 | 100-116 |
| 120 | 110-130 | 120 | 110-130 | 120 | 110-130 |
| 130 | 120-140 | 130 | 120-140 | 130 | 124-140 |
| 140 | 130-150 | 140 | 130-150 | 140 | 135-150 |
| 150 | 140-160 | 150 | 140-160 | 150 | 145-160 |
| 160 | 150-170 | 160 | 150-170 | 155 | 150-165 |
| 170 | 163-180 | 170 | 163-180 | 160 | 155-172 |
| 185 | 175-190 | 175 | 170-185 | 165 | 160-175 |
| 195 | 185-200 | 180 | 175-190 | 170 | 165-180 |
| 200 | 190-210 | 190 | 185-200 | 180 | 175-190 |
| | | 200 | 190-210 | 195 | 188-208 |
| | | | | 210 | 200-215 |

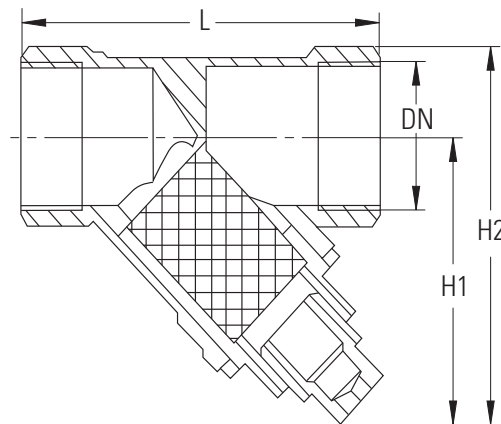
EXAMPLE: 1" NPT, Part Number 66039-90 indicates the 1" NPT valve with a nominal shift temperature of 90°F. The actual operating temperature range in this example is 80-100°F. The valve begins to open at 80°F, and is fully open at 100°F.

How to Order Consult factory for pricing and lead time

| | | | | | | | | | |
|--------------------------|--|--|--|--|---|------------------------------------|--|--|----|
| | | | | | - | | | | °F |
| Valve Part Number | | | | | | Nominal Temperature Setting | | | |

Forged Brass Y-Strainer

- Suitable for 600 WPG service, 150 PSI WSP, with easy clean plug
- MSS SP-110 approved
- Temperature range: -10°F to 250°F
- Heavy duty forged brass construction
- Screwed caps are straight threaded with PTFE gaskets
- 304 Stainless steel 50 mesh screen ¼" - 1"
- 304 Stainless steel 20 mesh screen 1¼" - 2"
- Threaded ends comply with ANSI.B2.1
- Female X female connection



| Part Number | DN (NPT) | L | H1 | H2 | Weight (LBS) |
|-------------|----------|------|------|------|--------------|
| 56944 | ¼ | 1.97 | 1.50 | 1.90 | 0.22 |
| 65294 | ⅜ | 1.97 | 1.50 | 1.90 | 0.21 |
| 65295 | ½ | 2.36 | 1.97 | 2.44 | 0.38 |
| 65296 | ¾ | 2.76 | 2.09 | 2.68 | 0.57 |
| 65297 | 1 | 2.95 | 2.24 | 2.95 | 0.9 |
| 65301 | 1¼ | 3.54 | 2.76 | 3.74 | 1.3 |
| 65302 | 1½ | 4.09 | 2.99 | 4.17 | 1.81 |
| 65303 | 2 | 4.72 | 3.35 | 4.96 | 3.31 |

All dimensions in inches, unless noted otherwise.