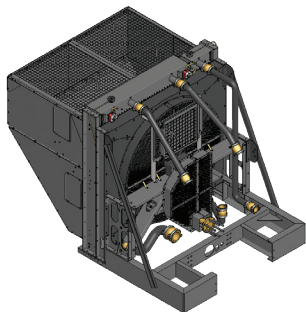


Engine Cooling System for Land Electric Drill Rigs.

API Heat Transfer has been producing land electric drill rig (LEDR) engine cooling systems for decades and continually works to strengthen their performance to meet the tough demands of land-based drilling. These LEDR engine cooling systems have a unique, low-profile design that, when fitted to the engine and skid, allows for the Drilling Power Module (DPM) to be transported without height restrictions.

Performance notes.

- Turnkey cooling system, including jacket water, aftercooler, improved fuel cooler, wishbone, drive kit, and pipe kit
- Unit designs available in both a single side-by-side core arrangement and our traditional stacked core arrangement
- Rugged plate fin copper-brass soldered cores
- Laser-cut, high-strength steel framework
- Low-profile unit with surge tank built into top tank and level gauges
- Complete standard black powder coat of all steel components
- Side-mounted grease panel with stainless steel lines for easy access maintenance
- Access panels for ease of cleaning between cores
- Optional aluminum fans
- Optional vertical discharge scoop (shown)
- Optional corrosion package



Optional single-slab side-by-side core arrangement



Applications.

LEDRs that are powered by Tiers II & IV:

- Caterpillar 3512B
- Cummins QSK50
- MTU 12V4000

MANUFACTURING FACILITY | 4700 Ironwood Drive | Franklin, WI 53132, USA | +1.414.761.4500 | sales@apiheattransfer.com

GLOBAL MANUFACTURING LOCATIONS: USA: New York; Buffalo; Wisconsin: Franklin, Iron Ridge and Racine

Germany: Bretten and Dortmund | China: Shanghai and Suzhou

