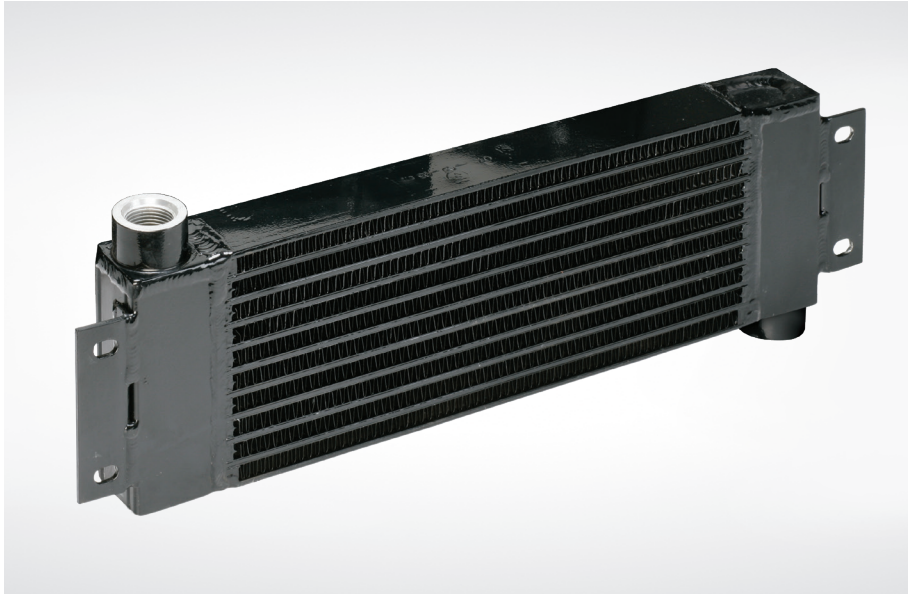


# BGA Series – Brazed Aluminum Compressed Air Belt Guard Cooler

0524

The rugged Air Belt Guard BGA Series provides high performance, high technology in a compact unit. This heavy duty design features brazed bar and plate aluminum core construction for excellent heat recovery.



## How to Order

### Model Series

**BGA**

BGA

### Model Size Selected

35  
60  
100

### Connection Type

1 - NPT\*

*\*Consult factory for SAE availability.*

## Features

- Brazed bar and plate aluminum core
- Energy efficient
- High performance
- High technology compact design
- Rugged heavy duty construction
- Excellent for heat recovery
- AKG crossover

## Customer Focused and Driven

- All catalog product is available with short lead-times
- Expert application engineers are available to select and size the right product Custom designs are available

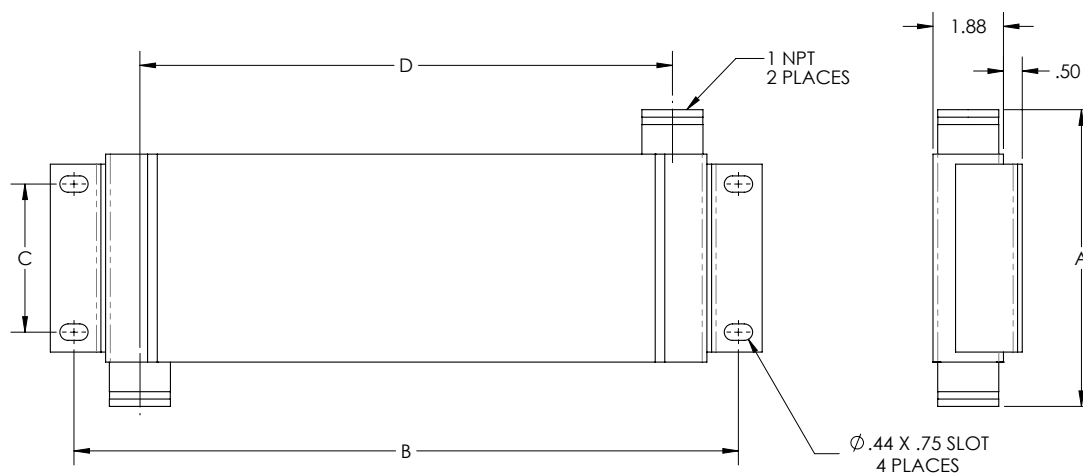
## Ratings

- Maximum Operating Pressure 250 PSI
- Maximum Operating Temperature 350°F

## Materials

- Core Brazed aluminum bar & plate

# Dimensions



Model No.	A	B	C	D
BGA-35-1	6.81	17.68	2.76	14.17
BGA-60-1	7.90	17.68	3.94	14.17
BGA-100-1	10.20	19.65	6.30	16.14

All dimensions are inches. We reserve the right to make reasonable design changes without notice.

Model No.	Maximum SCFM*	Model Rating Approach Temperature
BGA-35-2/1	35	5°F for 18 SCFM 15°F for 35 SCFM
BGA-60-2/1	60	10°F for 35 SCFM 25°F for 60 SCFM
BGA-100-2/1	100	13°F for 70 SCFM 25°F for 100 SCFM

\*Ratings are based on a 250°F inlet temperature, 100 PSIG, and 500 FPM air face velocity across the ambient side of the aftercooler. Maximum pressure drop is 3 PSI or less—all models. 25°F approach temperature, unless stated otherwise.